

LED BBQ LIGHT

BQ02

PROJECT:

TYPE:

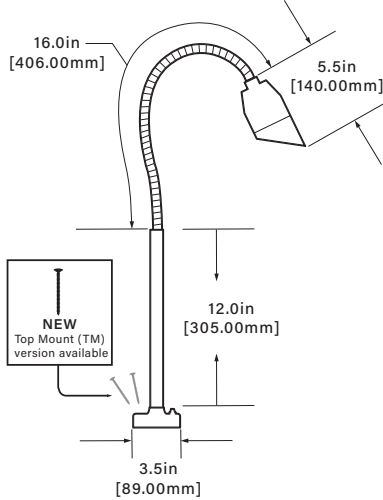
DATE:

CATALOG NUMBER:

DIMENSIONS

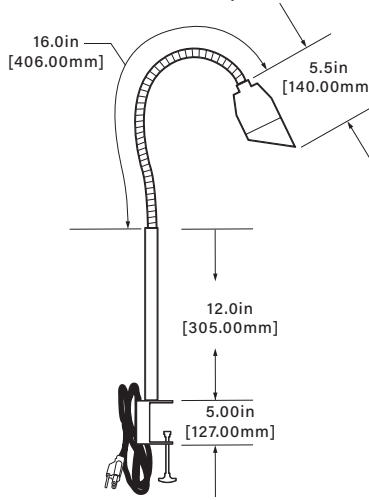
Dimensions Shown with Deck Mount (12-120V)

Standard



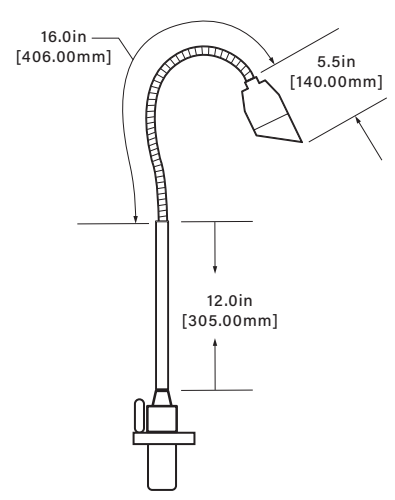
Dimensions Shown with FC3/FC5 (12-120V)

Focus 3" or 5" Clamp



Dimensions Shown with QC (12-120V)

Quick Connect



SPECIFICATIONS

INTERNALS	VOLTAGE	12V-120v
	WIRING	12v: Black 4 foot 18/2 zip cord from base of fixture. For 25 foot 16/2 fixture lead wire add -25F to catalog number 120V: 18G Black, White, and Green (Ground) with M4 ring terminal UL 1007-16"
	O-RING	2x - 70 Durometer 400° red silicone, 1.7" ID, 1.75mm th
	NIPPLE	.50" zinc plated steel .25" IPS (A50)
	CONNECTOR	Close ended cimp cap nylon, 22-14 AWG, clear
	HARDWARE	Plastic bushing .25" IPS pipe hole Brass hex nut .125" IPS x .50" dia. x .09375" th Hickey .75" H, with 2 holes threaded .25" IPS-316 Stainless Steel Spring wire dia. .0540 L 2.700 outside dia. 1.3650
EXTERNALS	HOUSING	316 Brushed Stainless Steel body, .125" IPS hole, machine finish
	CAP	316 Brushed Stainless, machine finish
	MATERIALS	316 Stainless Steel
	STEM	16.00" Stainless Steel flex arm, 12.00" Stainless Steel Rod, CLR
	MOUNT	12 volt - 120 volt: Deck mount, Top mount, 5" Clamp, 12 volt Only: Quick Connect
	LENS	Glass lens, clear tempered, 2.18" OD x .125", ± .03"
	SWITCH	Black boot, J961. On/Off switch 12v/120v, 3A 250VAC/6A 125VAC/2A 125VL/6A 14 VT
	FINISH	316 Stainless Steel
	LISTINGS	IP66. ETL rated for Indoor / Outdoor use. Suitable for wet locations



FOCUS INDUSTRIES Inc.
 25301 COMMERCENTRE DRIVE
 LAKE FOREST, CA. 92630
 949.830.1350 | TOLL FREE: 888.882.1350
 WWW.FOCUSINDUSTRIES.COM

