

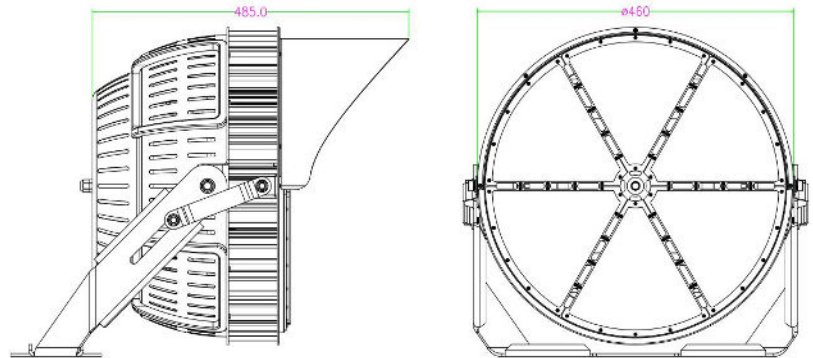


NAME: LED SPORTS LIGHTING

P/N : BRT-SP01-750W

### Advantage:

- UL cUL certificate
- Input voltage 100-277Vac/200-480Vac
- No UV or IR in the beam
- Easy to install and operate
- Energy saving, long lifespan
- Instant start, NO flickering, NO humming
- Green and eco-friendly without mercury
- Output constant current level can be adjusted through output cable with 1-10V.



### Application:

- ◆ Gymnasium;
- ◆ Square plaza;
- ◆ Shipyard, Airport, wharf;
- ◆ High mast and Contour lighting, etc.

## Product Specifications

Product name	LED Sports Lighting
Part No	BRT-SP01-750W
Dimension	Φ460*485.0 mm

## Technical Characteristic

Color temperature	4000K	4500K	5000K	5700K
CRI	>70			
Lumen	90000-97500LM			
Input Power	750W			
Lumen Efficacy	120-130 LM/W			
Viewing Angle	15°			
Input Voltage	100-277Vac/200-480Vac		50/60Hz	
Driver Brand	Sosen			
PF	>0.9			
Waterproof Rating	WET(IP65)			

## Materials

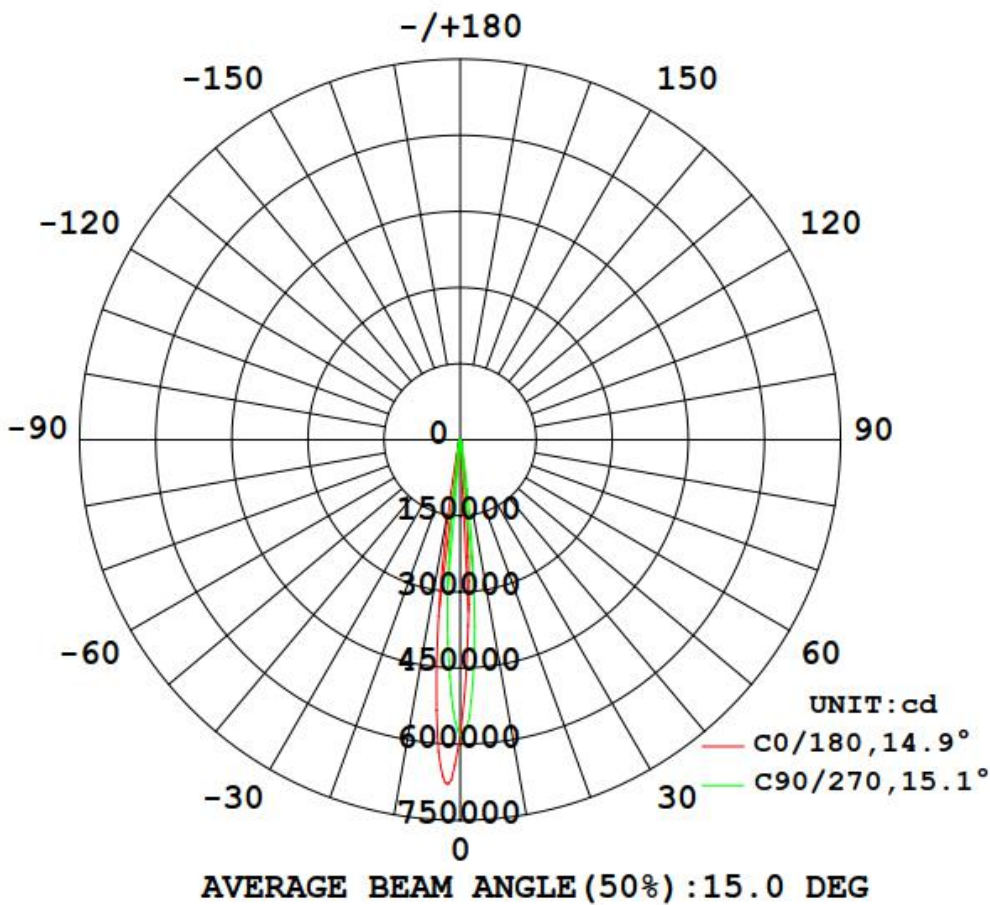
LED Brand	Seoul
LED Type	SMD 3030
LED QTY	420 PCS
Housing	Aluminum
Housing color	Black
Cover	LENS

## Others

Operating Temperature	-20°C TO 45°C
Operating Humidity	20%-90% RH
Storage Temperature	-30°C TO 80°C
Storage Humidity	10%-95%
Application	Outdoor
Safety Certification	UL cUL
Warranty Time	5 Years

## Light Distribution Testing Parameters

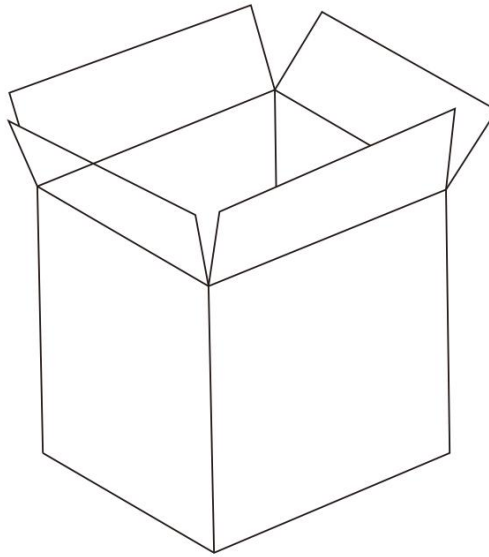
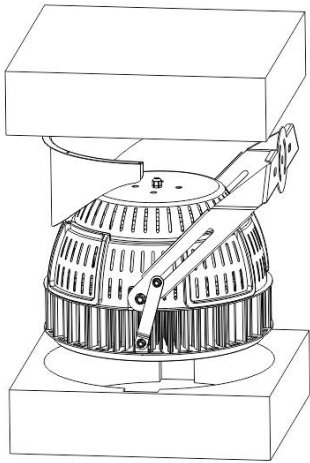
DATA OF LAMP		PHOTOMETRIC DATA      Eff: 123.38 lm/W			
MODEL		I <sub>max</sub> (cd)	32450	S/MH (C0/180)	0.12
NOMINAL POWER (W)	750	LOR (%)	100.0	S/MH (C90/270)	0.18
RATED VOLTAGE (V)	120	TOTAL FLUX (lm)	93043.6	UP, DN (C0-180)	0.4, 48.6
NOMINAL FLUX (lm)	93043.6	MAXIMUM @ (C, )	160,74.0	UP, DN (C180-360)	0.3, 50.7
LAMPS INSIDE	1	η up (%)	0.6	CIBSE SHR NOM	0.00
TEST VOLTAGE (V)	120	η down (%)	99.4	CIBSE SHR MAX	1.00



## Package

**Lamp Net Weight: 20.5 KG / PC**

	Size	Qty / Carton	Gross Weight / Carton
Outer box	580*580*600 mm	1 PC	18.0 KG



## Notice For User

- ◆ Please turn off power before install or change assembly parts.
- ◆ The input voltage and lamps should be matched, after connecting the power line, Please make sure the wiring section is insulated.
- ◆ No-professionals, must not install and disassemble the lamps.

## Trouble Shootings

Troubles	Check points
Flickering of the light	Turn off the power and turn on again in 3 minutes. If same phenomena occur, then call agencies.
Out of working	Please check the connection.