

# LED Stadium Light-1

## Outdoor Stadium Light



OVERVIEW	
Lumen Output Range	66,000 - 171,738
Wattage Range	500W - 1200W
Efficacy Range (LPW)	132 - 150
Weight lbs (kg)	41(18.5)-84(38)

### QUICK LINKS

- Ordering Guide
- Performance
- Photometrics
- Dimensions

### FEATURES & SPECIFICATIONS

#### Construction

- Rugged die-cast aluminum housing for maximum durability and reliability.
- IP65 rated luminaire protects integral components from harsh environments.
- Shipping weight: 41 lbs to 84 lbs in carton.

#### Optical System

- Premium engineered IP65 rated acrylic optic assemblies deliver 20degree, 30degree, 40degree, 60degree, 80degree and 120degree distributions.
- Available in 5700K, 5000K, 4000K color temperatures per.
- Minimum CRI of 70.
- Shield and Laser Pen.

#### Electrical

- High-performance driver features short circuit and over temperature protection with integral surge protection (10kV).
- 1-10V dimming (10% - 100%) standard.
- Standard Universal Voltage (120-277 VAC) Input 50/60 Hz.
- Total harmonic distortion: <10%
- Operating temperature: -40°C to +50°C (-40°F to +122°F).

- Power factor: >0.90
- Input power stays constant over life.
- Optional 10KV surge protection device meets a minimum.
- High-efficacy LEDs mounted to metal-core circuit board to maximize heat dissipation.

#### Controls

- Photocell
- Bypass cap.

#### Installation

- Mounting method ships together with fixture and can be installed quickly.
- Wiring leads extended out of the main housing eliminating the need of opening the luminaire electrical chamber.
- Utilizes adjustable slip fitter for mast arm or tenon mounting.
- Optional die-cast slip fitter allows for mounting onto a 2.3/8" O.D. tenon allowing for tilting up to 90 degrees.

#### Warranty

- Luminaires carry a 5-year limited warranty. Complete warranty terms are located on our website.

#### Listings

- Listed to UL.
- Suitable for wet Locations.
- IP65 rated Luminaire.
- 1.5G rated for ANSI C136.31 high vibration applications are qualified.
- DesignLights Consortium® (DLC) qualified product.

# LED Stadium Light-1

[Back to Quick Links](#)

## ORDERING GUIDE

 TYPICAL ORDER EXAMPLE: **SDL1 LED 500 120 UM 57K UNV DIM BRZ**

Luminaire Prefix	Light Source	Power&Lumen	Lens&Distribution	Mounting Options	Color Temp
<b>SDL1-Stadium Light 1</b>	<b>LED</b>	500 - 69000-72000 lms 750 - 102530-103879 lms 1200 - 168405-171500 lms	20 - 20 degree 30 - 30 degree 40 - 40 degree 60 - 60 degree 80 - 80 degree	<b>SF</b> - Adjustable Slip fitter <b>UM</b> - Flood mounting bracket	<b>57</b> - 5700K CCT <b>50</b> - 5000K CCT <b>40</b> - 4000K CCT
Voltage	Driver	Finish	Options	Controls (Choose One)	
<b>UNV</b> - Universal Voltage (120-277V) <b>480</b> - High Power (277-480V)	<b>DIM</b> - 1-10V Dimming(10-100%)	<b>BRZ</b> -Bronze <b>WHT</b> -White <b>Option</b> - Custom Color	<b>(Blank)</b> - None <b>SPD</b> - 10kV Surge Protection Device <b>IHS</b> - Integral House Side Shield <b>3NP</b> - 3pins photocell		

## Accessory Ordering Information

CONTROLS ACCESSORIES	
Description	Order Number
3 Pins Photocell	<b>3NP</b>
10kV Surge Protection Device	<b>SPD</b>
<b>AirLink 5 Pin Twist Lock Controller</b>	<b>661409</b>
<b>AirLink 7 Pin Twist Lock Controller</b>	<b>661410</b>
<b>Shorting Cap for use with CR7P</b>	<b>149328</b>

MOUNTING ACCESSORIES	
Description	Order Number
Adjustable Slip Fitter for Mast Arm & Tenon on 500W	SF
Adjustable Slip Fitter for Mast Arm & Tenon on 750W & 1200W	SF
UM -Flood mounting bracket	UM
Integral House Side Shield	IHS
<b>Square Pole Tenon Adapter (For 2 3/8" Tenon)</b>	<b>BKA 2NM Q90 BRZ</b>
<b>10' Linear Bird Spike Kit (3' Recommended per Luminaire)</b>	<b>751632</b>

### FOOTNOTES:

- 1 - below 500w and over 1200w power available, consult facotry.
- 2 - Control device or shorting cap must be ordered separately. See Accessory Ordering Information.
- 3 - Mounting and accessories are shipped together and shield installed.
- 5 - Fusing must be located in hand hole of pole.
- 6 - "BRZ" denotes finish. See Finish options.



# LED Stadium Light-1

[Back to Quick Links](#)

## PERFORMANCE

DELIVERED LUMENS*											
Wattage	Distribution	CRI	5700K			5000K			4000K		
			Delivered Lumens	Efficacy	BUG Rating	Delivered Lumens	Efficacy	BUG Rating	Delivered Lumens	Efficacy	BUG Rating
500w	30degree	83	71932.2	148.64	B5-U0-G1	70887.0	146.73	B5-U0-G1	69841.7	145.32	B5-U0-G1
	40degree		72329.8	148.35	B5-U0-G1	71568.1	147.18	B5-U0-G1	70806.3	146.79	B5-U0-G1
750w	40egree	83	103879.6	137.18	B5-U0-G2	103204.9	136.23	B5-U0-G2	102530.2	135.15	B5-U0-G2
	60degree		104644	138.55	B5-U0-G2	103921.7	137.59	B5-U0-G2	103199.4	136.63	B5-U0-G2
1200w	30degree	83	171500	137.72	B5-U0-G5	169952.7	136.50	B5-U0-G5	168405.3	135.32	B5-U0-G5
	40degree		171738.5	137.04	B5-U0-G5	170826.5	136.35	B5-U0-G5	169914.4	135.72	B5-U0-G5

\*LEDs are frequently updated therefore values are nominal.

ELECTRICAL DATA*				
Wattage	120V	208V	240V	277V
500w	4.17	2.40	2.08	1.81
750w	6.25	3.61	3.13	2.71
1200w	10.00	5.77	5.00	4.33

\*Electrical data at 25C (77F). Actual wattage may differ by +/-0.3%.

RECOMMENDED LUMEN MAINTENANCE (71L-171L)					
Ambient Temperature	Cinitial <sup>2</sup>	3K hrs. <sup>2</sup>	5K hrs. <sup>3</sup>	7K hrs. <sup>3</sup>	10K hrs. <sup>3</sup>
1C-85C	100%	99.64%	99.20%	98.74%	98.13%

1 - Lumen maintenance values at 25C are calculated per TM-21 based on LM-80 data and in-situ testing.

2 - In accordance with IESNA TM-21-11, Projected Values represent interpolated value based on time durations that are within six times the IESNA LM-80-08 total test duration for the device under testing.

3 - Lumen maintenance values at 25C are calculated per TM-21 based on LM-80 data and in-situ testing times the IESNA LM-80-08 total test duration for the device under testing.

LUMINAIRE EPA CHART					
500W	Single	D180°	D90°	T90°	Q90°
EPA	1.6ft <sup>2</sup>	3.2ft <sup>2</sup>	2.8ft <sup>2</sup>	4.4ft <sup>2</sup>	5.6ft <sup>2</sup>
750W	Single	D180°	D90°	T90°	Q90°
EPA	2.4ft <sup>2</sup>	4.8ft <sup>2</sup>	4.0ft <sup>2</sup>	6.4ft <sup>2</sup>	8.0ft <sup>2</sup>
1200W	Single	D180°	D90°	T90°	Q90°
EPA	3.1ft <sup>2</sup>	6.2ft <sup>2</sup>	5.1ft <sup>2</sup>	8.2ft <sup>2</sup>	10.2ft <sup>2</sup>

# LED Stadium Light-1

[Back to Quick Links](#)

## PHOTOMETRICS

Luminaire photometry has been conducted by an accredited laboratory in accordance with IESNA LM-79. As specified by IESNA LM-79 the entire luminaire is tested as the source resulting in a luminaire efficiency of 100%.

### SDL1 500W 30degree

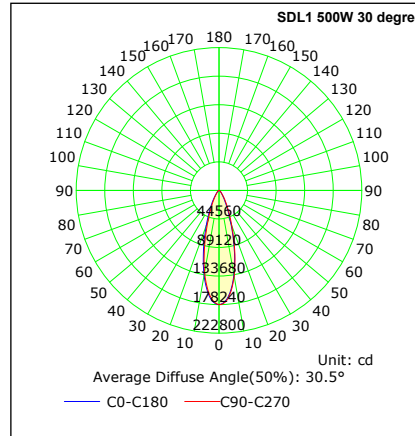
#### LUMINAIRE DATA

30degree Distribution	
Description	4000 Kelvin, 70 CRI
Delivered Lumens	71,932
Watts	500
Efficacy	148.64
IES Type	30degree
BUG Rating	B5-U0-G1

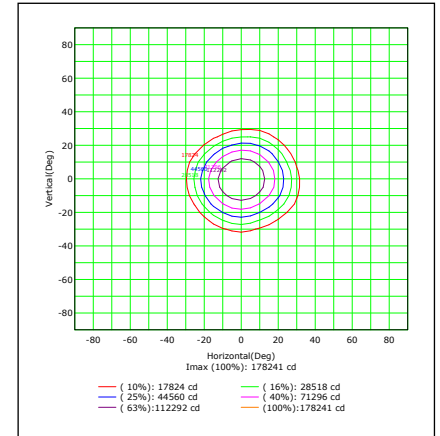
#### Zonal Lumen Summary

Zone	Lumens	%Luminaire
Low (0-30)°	54,969.80	78.80%
Medium (0-60)°	67,557.10	96.80%
High (60-90)°	2,243.80	3.20%
Very High (70-100)°	799.00	1.10%
Uplight (90-120)°	0	0%
Total Flux	71,932.20	100%

#### Luminous Intensity Distribution Curve



#### ISO FOOTCANDLE



### SDL1 500W 40degree

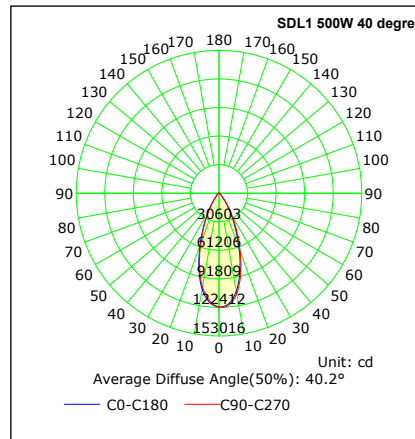
#### LUMINAIRE DATA

40degree Distribution	
Description	4000 Kelvin, 70 CRI
Delivered Lumens	72,330
Watts	500
Efficacy	148.35
IES Type	40degree
BUG Rating	B5-U0-G1

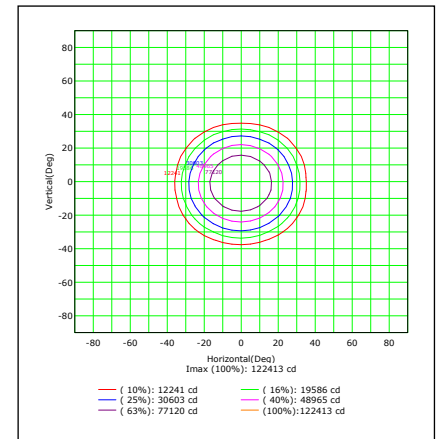
#### Zonal Lumen Summary

Zone	Lumens	%Luminaire
Low (0-30)°	54,713.90	77.30%
Medium (0-60)°	69,425.30	98.10%
High (60-90)°	1,352.90	1.90%
Very High (70-100)°	391.70	0.60%
Uplight (90-120)°	0	0%
Total Flux	72,329.80	100%

#### Luminous Intensity Distribution Curve



#### ISO FOOTCANDLE

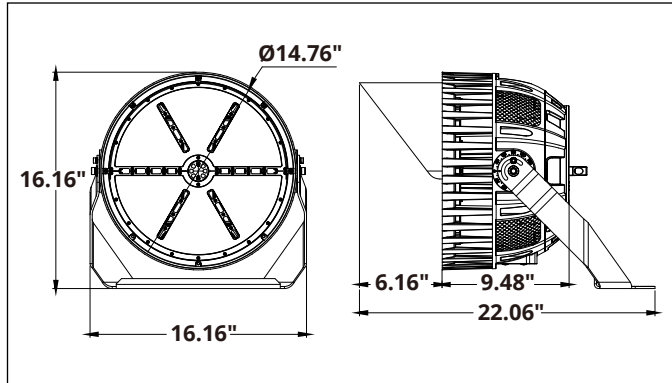


# LED Stadium Light-1

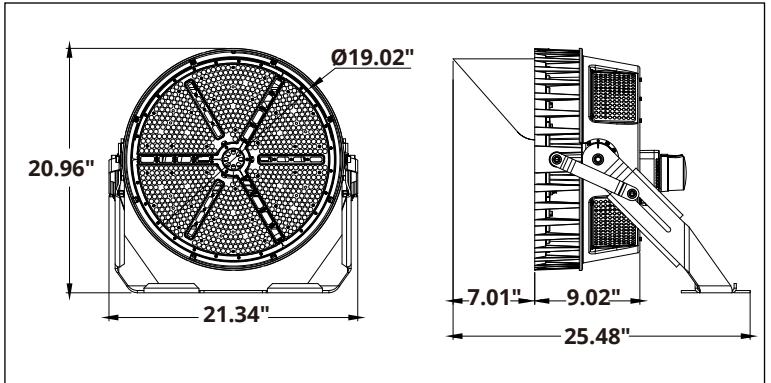
[Back to Quick Links](#)

## PRODUCT DIMENSIONS

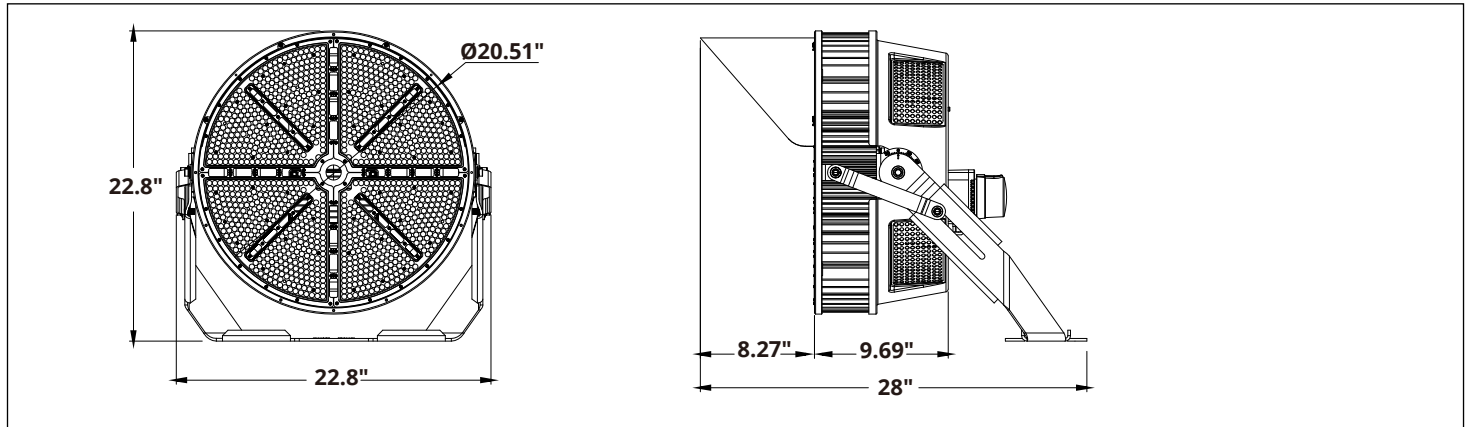
### 500W



### 750W



### 1200W



## MOUNTING

[Back to Quick Links](#)


## SHIELD

[Back to Quick Links](#)
