

PROJECT NAME		DATE	
CAT. NUMBER			
NOTES			

SPEC SHEET

Site Lighter (SL1)

AREA LIGHT LED FIXTURE



IP65



IK08



up to
20kA



0-10V

Projected L70 up to 189,000 hours



Guaranteed Performance

Performance of the light fixture is guaranteed for 10 years, including lumen output (L70), color temperature, and LED driver.



Superior Heat Dissipation

Extruded aluminum body is exceptional at moving thermal energy, allowing long lasting performance even at high ambient temperatures.



Controls and Sensors

Optional integrated controls systems available including basic on/off, dimming and UltraLink Bluetooth NLC wireless controls.

KEY FEATURES

- Up to 174 LPW
- 8,500 to 62,000 Lumens
- Up to 55°C
- 200-480V High-Voltage Driver (optional)
- Dimmable 0-10V
- Patented Rapid Mount Bracket (optional)
- Turtle-friendly Lighting option available

FEATURES & SPECIFICATIONS

CONSTRUCTION

- **Extruded Aluminum Body:** Improves heat dissipation.
- **Heavy-Duty Powder Coating:** Bronze, white and black standard. Other color options available¹¹.
- **Modern Form Factor.**
- **Assembled in the USA.**

ELECTRICAL

- **Power Input:** 120-277V or 200-480V, depending on model.
- **Power Factor:** >0.9 (0.99 typical).
- **Total Harmonic Distortion:** <10% typical.
- **Surge Protection:** Standard is 3kV for drivers. Additional surge protection up to 20kA is available.

OPERATION

- **Environment:** Wet locations for exterior applications. IP65 rated.
- **Ambient Range Operation:** -40°C up to 55°C (-40°F up to 130°F).

OPTICS

- **CCT:** 2200K, 2800K (turtle-friendly), 3000K, 3500K, 4000K, and 5000K standard.
- **CRI:** >70.
- **Lenses:** UV stable clear polycarbonate.

MOUNTING

- **Mounting:** U.S. Patented Rapid Mount Bracket. Other options are Slip Fitter (Knuckle Adapter), Straight Arm and Trunnion (Yoke) Bracket.

CONTROLS^{2,15}

- **Dimming:** 0-10V standard. Dim to OFF.
- **Sensors:** Compatible with Wattstopper and McWong sensors, and Enoccean switches.
- **Networked Lighting Controls:** UltraLink Wireless Controls with Bluetooth® NLC Mesh technology.

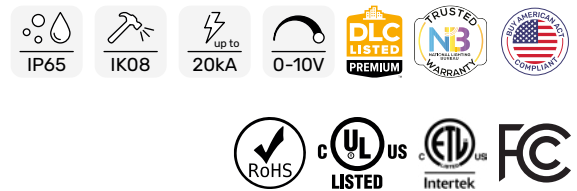


WARRANTY

- **10 Year Performance Warranty:** Fixture is guaranteed for 10 years, including lumen maintenance (L70), color temperature, and LED driver. "Defective" is considered if ten percent (10%) or more of the LEDs, per product, are non-operating LEDs, total lumen depreciation exceeds 30% (L70), or color temperature has shifted more than 500° Kelvin within the warranty period. See terms and conditions at <https://linmoreled.com/warranty>

LISTINGS & CERTIFICATIONS

- UL 1598.
- IP65.
- FCC CFR 47, Part 15: Subpart B Class B.
- ANSI C63.4: 2014.
- RoHS compliant.
- cUL.
- BAA/TAA Compliant.
- Design Lights™ Consortium Premium.¹



TECHNICAL SPECS

Housing	Watts	TYPE				FRONT ROW		FLOOD	
		T2	T3	T4	T5	FR	FL	F60	F35
SM	50	8,676	8,676	8,598	8,676	8,676	8,676	8,439	8,336
SM	75	12,284	12,284	12,161	12,284	12,284	12,284	11,916	11,793
SM	100	16,729	16,729	16,562	16,729	16,729	16,729	16,227	16,060
MD	125	21,176	21,176	20,965	21,176	21,176	21,176	20,541	20,329
MD	150	24,397	24,397	24,153	24,397	24,397	24,397	23,665	23,421
MD	200	30,980	30,980	30,670	30,980	30,980	30,980	30,051	29,741
LG	250	38,035	38,035	37,654	38,035	38,035	38,035	36,894	36,514
LG	300	46,935	46,935	46,465	46,935	46,935	46,935	45,527	45,057
XL	400	62,341	62,341	61,718	62,341	62,341	62,341	60,471	59,847

Typical lumen output (±10%) at 120V (LV) under 25°C ambient temperature.

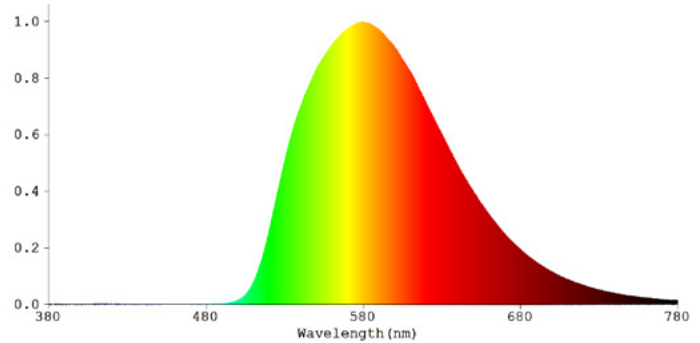
Lumen Multipliers

Allows to calculate the actual lumen output for your application.

COLOR TEMP	
CCT	Multiplier
5000	1.000
4000	1.000
3500	0.980
3000°	--
2800° Turtle-friendly	0.876
2200°	0.780

Turtle-Friendly Lighting Available (2800K CCT)

Our 2800K CCT option provides an optimized spectrum for turtles, based on long-wavelength lighting with minimal to zero amount of blue content.



Spectrum Parameters

Blue content (400nm-700nm): 0.14%
Peak wavelength: 579nm

BUG Ratings

HOUSING	WATTS	OPTIC	BUG RATE	OPTIC	BUG RATE	OPTIC	BUG RATE	OPTIC	BUG RATE
SM	50	T5	B3-U0-G1	T4	B1-U0-G1	T3	B1-U0-G1	T2	B1-U0-G1
SM	75	T5	B4-U0-G2	T4	B1-U0-G2	T3	B1-U0-G2	T2	B2-U0-G1
SM	100	T5	B4-U0-G2	T4	B2-U0-G2	T3	B2-U0-G2	T2	B2-U0-G1
MD	125	T5	B4-U0-G2	T4	B2-U0-G2	T3	B2-U0-G2	T2	B2-U0-G1
MD	150	T5	B5-U0-G3	T4	B2-U0-G2	T3	B2-U0-G2	T2	B2-U0-G1
MD	200	T5	B5-U0-G3	T4	B2-U0-G2	T3	B2-U0-G2	T2	B3-U0-G2
LG	250	T5	B5-U0-G3	T4	B2-U0-G2	T3	B2-U0-G2	T2	B3-U0-G2
LG	300	T5	B5-U0-G3	T4	B2-U0-G3	T3	B2-U0-G3	T2	B3-U0-G2
XL	400	T5	B5-U0-G4	T4	B2-U0-G3	T3	B2-U0-G3	T2	B3-U0-G4

ORDERING

SERIES MODEL	HOUSING SIZE	WATTAGE (WD)	KELVIN	OPTIC	VOLTS	GENERATION
LL-SL1-	SM Small 50WD, 75WD, 100WD	50WD	22K⁹ 2200K	T2 Type 2	UNV 120-277V 0-10V dimming	G2 Generation 2
	MD Medium 125WD, 150WD, 200WD	75WD	28K⁹ 2800K (turtle-friendly)	T3 Type 3		
		100WD	30K⁹ 3000K	T4 Type 4		
		125WD	35K 3500K	T5 Type 5		
		150WD	40K 4000K	FR Front Row Right		
		200WD	50K 5000K	FL Front Row Left		
	LG⁶ Large 250WD, 300WD	250WD	F35 Flood 35 degrees	F60 Flood 60 degrees		
XL⁶ Extra Large 400WD	300WD					
	400WD					
		WD = wattage dimming				

HOUSING COLOR	MOUNTING	OPTIONS	
BRN Bronze	RMB Rapid Mount Bracket	PC Photocell, button, mounted in side plate, 120-480V	LOCCDIM12¹⁵ PIR Occupancy and Daylight Sensor, On/Off/Dim, 12' Max Mounting Height, IP66. For UNV driver only.
BLK Black	SF Slip Fitter Bracket	PC-TL Photocell, Twist Lock, 120-480V, depending on model	LOCCDIM40¹⁵ PIR Occupancy and Daylight Sensor, On/Off/Dim, 20' to 40' Mounting Height, IP66. For UNV driver only.
WH White	SA⁶ Straight Arm Bracket	SSP 20kA Surge Suppressor, 120-277V	ULTRA¹⁵ UltraLink Bluetooth NLC Wireless Receiver and Fixture Controller, 12 VDC Input, Silvair Firmware.
CUS⁴ Custom (special order)	TM Trunnion Mount Bracket	SSPH 20kA Surge Suppressor, 480V	ULTRAHGA¹⁵ UltraLink Bluetooth NLC Wireless Receiver and Fixture Controller with Long Range Antenna, 12 VDC Input, Silvair Firmware.
	* For more information about mounting download our Outdoor Lighting Guide >	GSB¹² Glare Shield Back, contact factory	ULTRAPIR20^{15,15} UltraLink Bluetooth NLC Wireless Fixture Controller with PIR Occupancy Sensor, 8' to 20' Mounting Height.
		GSS^{5,12} Glare Shield Side, please indicate which side, contact factory	ULTRAPIR40^{15,15} UltraLink Bluetooth NLC Wireless Fixture Controller with PIR Occupancy Sensor, 20' to 40' Mounting Height.
		FSP-201-L7¹⁵ Wattstopper Digital High/Low Passive Infrared Occupancy Sensor, Bottom Mount, IP66 Rated, 12V DC Input, Dimming Control, Ambient, Remotely Programmable, includes L7 lens unless otherwise requested.	
		FSP-211-L7¹⁵ Wattstopper Digital High/Low Passive Infrared Occupancy Sensor, Bottom Mount, IP66 Rated, 120-277V Input, Dimming Control, Ambient, Remotely Programmable, includes L7 lens unless otherwise requested. Will not work with LL-SL1-SM-50/75/100WD.	

ORDERING EXAMPLES

Standard: LL-SL1-MD-150WD-50K-T3-UNV-G2-BRN-SA

With Options: LL-SL1-MD-150WD-50K-T3-UNV-G2-BRN-SA-**ULTRAPIR20-GSB**

OPTICS

PART NUMBER	DESCRIPTION
T2	Type 2 Optics
T3	Type 3 Optics
T4	Type 4 Optics
T5	Type 5 Optics
FL	Front Row Optics Left
FR	Front Row Optics Right
F35	Flood Optics 35 Degrees
F60	Flood Optics 60 Degrees

ACCESSORIES

Must be ordered separately. Packaged separately.

BASIC CONTROLS

FSP-L2	360° lens, max coverage 48' diameter from 8' height for use with FSP-201
FSP-L3	360° lens, max coverage 40' diameter from 20' height for use with FSP-201
FSP-L4	360° lens, max coverage 60' diameter from 40' height for use with FSP-201
FSIR-100	Wattstopper Remote Handheld Configuration Tool

ADDING CUSTOMER CONSIGNED CONTROLS. Contact Factory.












ULTRALINK BLUETOOTH CONTROLS



Linmore LED's UltraLink, powered by Silvair, is a wireless lighting control system that uses Bluetooth NLC communications at 2.4 GHz. A complete mesh network system can include wireless receivers and fixture controllers, motion and daylight sensors, wall switches, gateways, and other accessories.

To have UltraLink installed in the fixture from the factory, add the desired UltraLink control option to the ordering number¹⁴. For example: LL-SL1-MD-150WD-50K-T3-UNV-G2-BRN-SA-ULTRAPIR20. Accessories must be ordered separately. They ship in a separate box

ULTRALINK ACCESSORIES

	Part Number	Description
	ULTRASW	UltraLink Bluetooth NLC Wireless Wall Switch, Self-Powered, Single Rocker, On/Off/Dim.
	ULTRASW-DR	UltraLink Bluetooth NLC Wireless Wall Switch, Self-Powered, Double Rocker, On/Off/Dim/Scenes.
	ULTRASW-AC	UltraLink Bluetooth NLC Wireless Wall Switch, AC-Powered 120-277V, Single Rocker, On/Off/Dim.
	ULTRASW-PIR-AC	UltraLink Bluetooth NLC Wireless Wall Switch with PIR Sensor, AC-Powered 120-277V, Single Rocker, On/Off/Dim.
	ULTRASW-4B-AC	UltraLink Bluetooth NLC Wireless Wall Switch with 4 Buttons, AC-Powered 120-277V, Single Gang, On/Off/Dim/Scenes.
	ULTRARELAY-5A¹³	UltraLink Bluetooth NLC Wireless Receiver / Controller, Bluetooth to 0-10V Converter with 5 Amp Relay, Field Installed, 120-277Vac Input, Silvair Firmware.
	ULTRARELAY-20A¹³	UltraLink Bluetooth NLC Wireless Receiver / Controller, Bluetooth to 0-10V Converter with 20 Amp Relay, Field Installed, 120-277Vac Input, Silvair Firmware.
	ULTRAGATEWAY	UltraLink Bluetooth NLC Wireless Gateway, required for Advanced Features and Time-Based Events. One gateway can control up to 200 fixtures, allowing for energy monitoring, people tracking, and scheduling. Interior installation only.
	ULTRAGATEWAY-EXT	UltraLink Bluetooth NLC Wireless Exterior Rated Gateway Box with High-Gain 2.4Ghz Antenna, includes ULTRAGATEWAY. 120-277V Power Supply required.
	ULTRATIME-BAT	UltraLink Bluetooth NLC Time-Keeping Battery Backup includes an Outdoor Rated Enclosure, a High-Gain Antenna and a Backup Battery. For use to keep time during a power outage and for in-node scheduling.
	ULTRADASH	UltraLink Dashboards for Energy, Occupancy Heat Mapping, and Energy Heat Mapping. Gateway (ULTRAGATEWAY) required, sold separately.



Technology Partner **SILVAIR**

MOUNTING OPTIONS

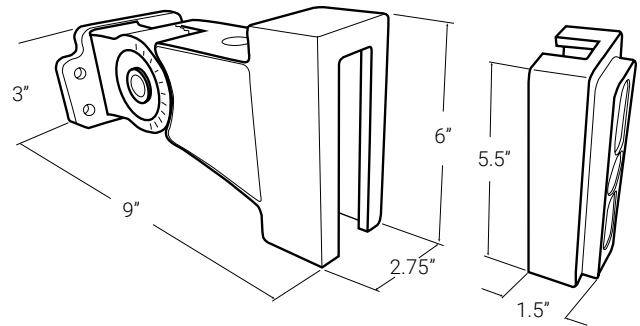
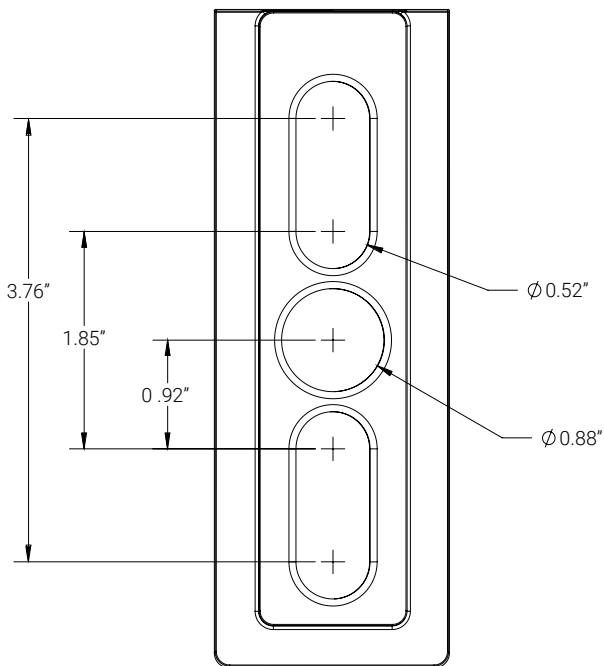
RMB

Rapid Mount Bracket

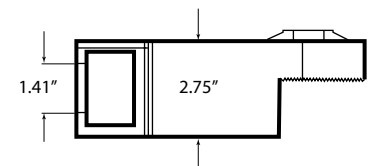
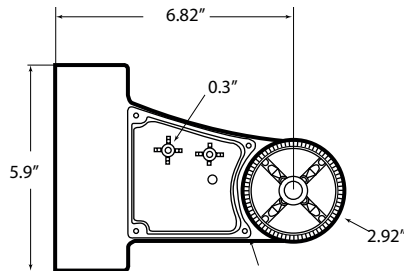
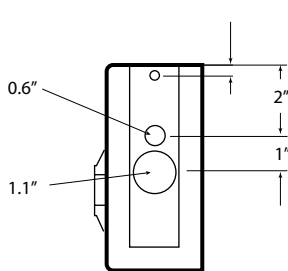
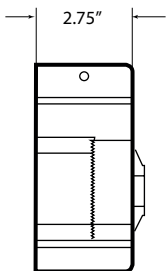
U.S. Patent No. 10,845,039

Installation Notes

Universal bracket to install SL1 fixtures to round or square poles without having to drill new holes in most cases, cutting installation time in half.



Universal Mount Slider



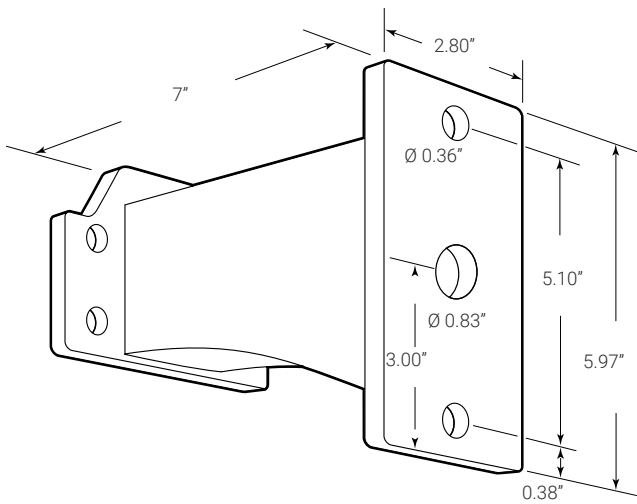
MOUNTING OPTIONS

SA

Straight Arm

Installation Notes

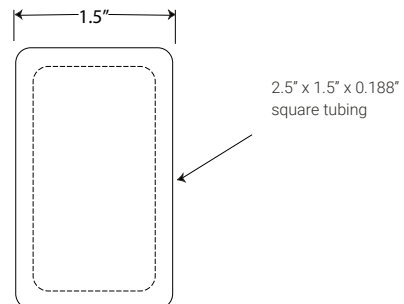
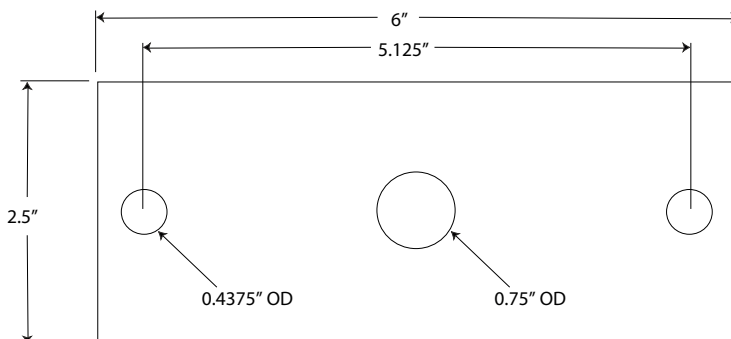
For fixed horizontal applications only.
Accommodates a single fixture.



! When installing multiple 300W or 400W fixtures on the same pole, Pole Spacers are required (sold separately).



Pole Spacer
LL-SL1-A30



MOUNTING OPTIONS

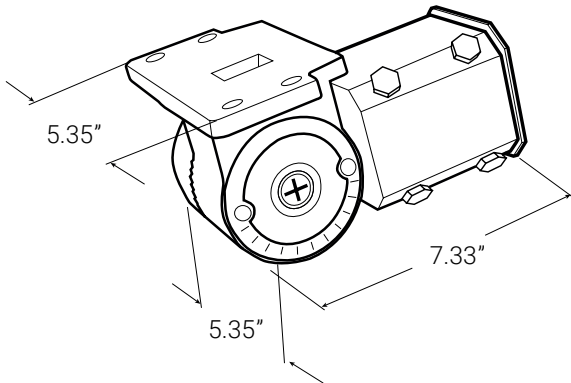
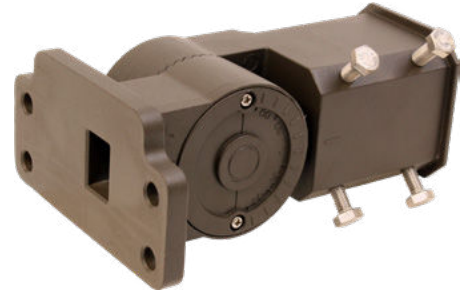
SF

Slip Fitter

Knuckle Adapter

Installation Notes

Adapter with adjustable angle for vertical and horizontal applications. Accommodates a single fixture to round pipes with no greater than 2 1/2" outer diameter.



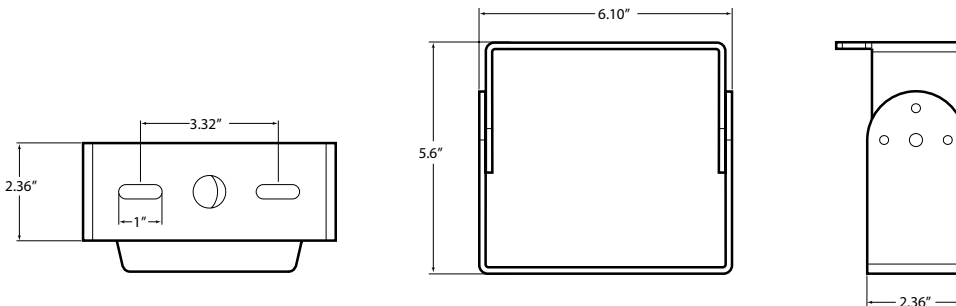
TM

Trunnion Bracket

Yoke

Installation Notes

For mounting to variety of surfaces at different angles for unique applications. Accommodates a single fixture. The fixture cannot be mounted at an angle greater than 60°.



MOUNTING ACCESSORIES

Must be ordered separately. When ordering after initial fixture purchase, replace ### with color code BRN, WH, BLK or CUS. (If CUS, provide factory with RAL, extended lead time.)

TENONS (WALL BRACKETS)⁷

Part Number	Description
LL-SL1-A1-###	Vertical or Horizontal Tenon, for use with 4" and larger square poles or flat surfaces
LL-SL1-A2-###	Horizontal Tenon for Round Poles
LL-SL1-A3-###	Vertical or Horizontal Tenon, for use with flat surfaces including walls and flooring. Provides a round pipe for mounting SL1 Fixtures with a Slip Fitter Bracket or for adding Cross Arms
LL-SL1-A4-###	Vertical Tenon (wall mount), providing a vertical round pipe for mounting SL1 Fixtures with a Slip Fitter Bracket or adding Cross Arms
LL-SL1-A10-###	Single Fixture Multi-Mount Tenon, adds a round pipe for mounting SL1 Fixtures to a variety of vertical and horizontal surfaces with a Slip Fitter Bracket; creating unique options for fixture placement

ADAPTERS⁷

LL-SL1-A12-###	Round to Square Pole Adapter, to mount a Straight Arm Mount to a round pole
LL-SL1-A5-###	Square to Vertical Slip Fitter Adapter, converts 4" square pole to 2-3/8" O.D., vertical mount
LL-SL1-A6-###	Square to Vertical Slip Fitter Adapter, converts 5" square pole to 2-3/8" O.D., vertical mount
LL-SL1-A18-###	Square to Vertical Slip Fitter Adapter, converts 6" square pole to 2-3/8" O.D., vertical mount
LL-SL1-A14-###	Round Pole to Vertical Slip Fitter Adapter, bracket reduces from 3" pole to 2-3/8" O.D. vertical mount
LL-SL1-A7-###	Round Pole to Vertical Slip Fitter Adapter, bracket reduces 4" round pole to 2-3/8" O.D., vertical mount
LL-SL1-A17-###	Clamp-On Mid-Pole Adapter, for use with 4"-5" Square Poles. Provides a Round Vertical Pipe for mounting SL1 fixtures with a Vertical Slip Fitter Adapter (LL-SL1-SF, ordered separately) at a position on the pole other than the top, accommodates fixtures mounting vertically with 2-3/8" to 3" O.D. (outside diameter).
LL-SL1-A30-###	Adapter - Spacer for Straight Arm, 1-1/2" X 6". Spacer for use with more than (1) 300W fixture per pole.

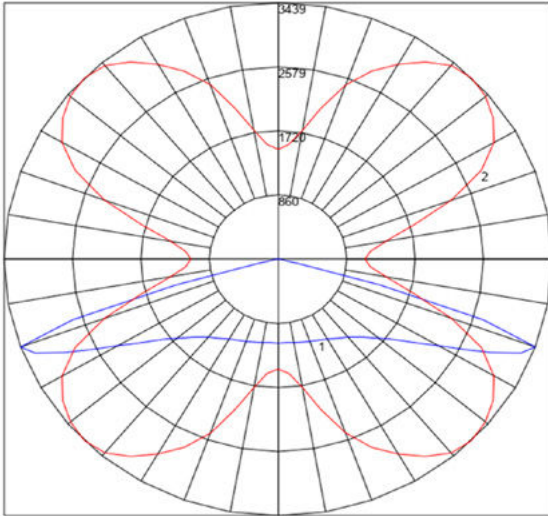
CROSS ARMS⁸

LL-SL1-A8-###	Two Fixture Bullhorn (straight cross arm), adapts from single 2-3/8" O.D. to two 2-3/8" O.D. vertical mounting locations, 28" on center apart
LL-SL1-A9-###	Three Fixture Y Tenon (120° cross arm), adapts from single 2-3/8" O.D. to three 2-3/8" O.D. vertical mounting locations, 28" on center apart
LL-SL1-A11-###	Three Fixture Straight Tenon (straight cross arm), adapts from single 2-3/8" O.D. to three 2-3/8" O.D. vertical mounting locations, 28" on center apart
LL-SL1-A13-###	Four Fixture 90° Cross Arm, adapts from single 2-3/8" O.D. to four 2-3/8" O.D. vertical mounting locations, 28" on center apart
LL-SL1-A15-###	Three Fixture T Tenon (90° cross arm), adapts from single 2-3/8" O.D. to three 2-3/8" O.D. vertical mounting locations, 28" on center apart
LL-SL1-A16-###	Two Fixture L Tenon (90° cross arm), adapts from single 2-3/8" O.D. to two 2-3/8" O.D. vertical mounting locations, 22.65" on center apart

For more information about all mounting accessories, download our [Outdoor Lighting Guide >](#)

50W T5 3500K

Polar Graph



Maximum Candela: 3439

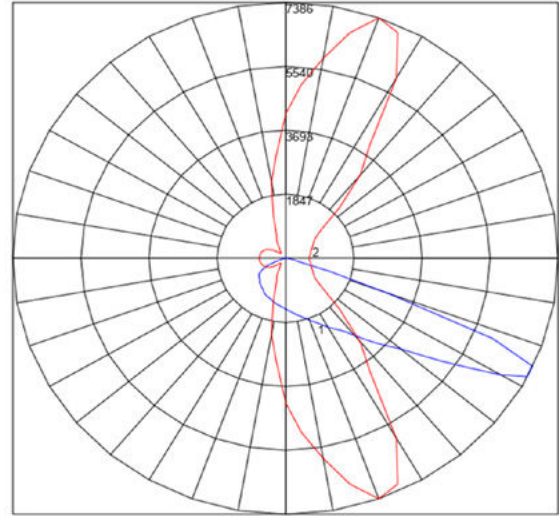
Located at horizontal angle: 45, Vertical angle : 70

#1: Vertical plane through horizontal angles (45-225)(through max Cd.)

#2: Horizontal cone through vertical angle (70)(through max Cd.)

50W T2 3500K

Polar Graph



Maximum Candela: 7386

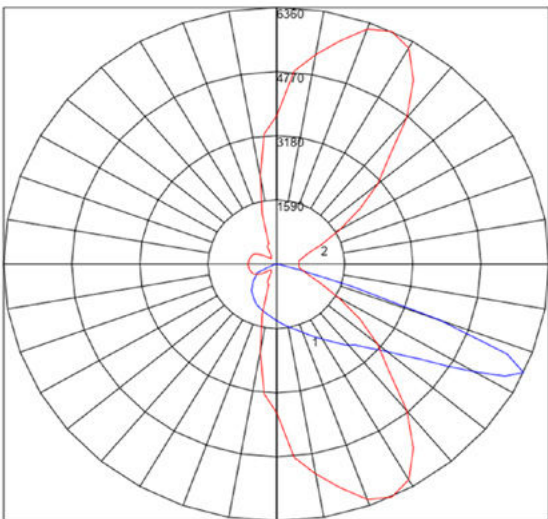
Located at horizontal angle: 70, Vertical angle : 62.5

#1: Vertical plane through horizontal angles (70-250)(through max Cd.)

#2: Horizontal cone through vertical angle (62.5)(through max Cd.)

50W T3 3500K

Polar Graph



Maximum Candela: 6360

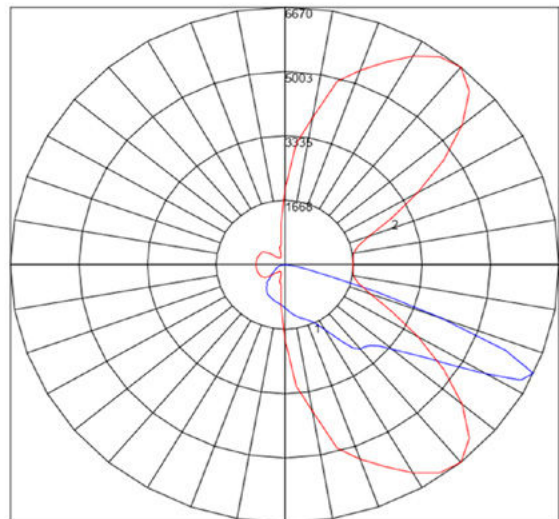
Located at horizontal angle: 65, Vertical angle : 65

#1: Vertical plane through horizontal angles (65-245)(through max Cd.)

#2: Horizontal cone through vertical angle (65)(through max Cd.)

50W T4 3500K

Polar Graph



Maximum Candela: 6670

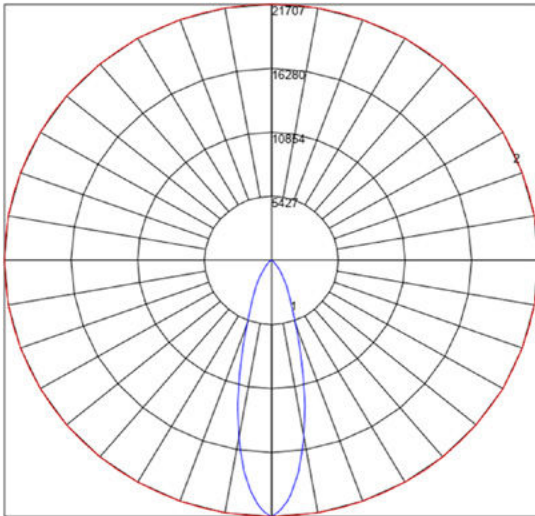
Located at horizontal angle: 50, Vertical angle : 65

#1: Vertical plane through horizontal angles (50-230)(through max Cd.)

#2: Horizontal cone through vertical angle (65)(through max Cd.)

50W F35 3500K

Polar Graph



Maximum Candela: 21707

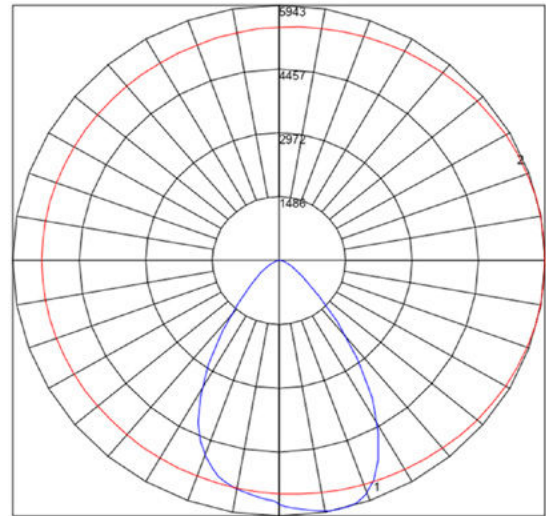
Located at horizontal angle: 90, Vertical angle : 0

#1: Vertical plane through horizontal angles (90-270)(through max Cd.)

#2: Horizontal cone through vertical angle (0)(through max Cd.)

50W F60 3500K

Polar Graph



Maximum Candela: 5943

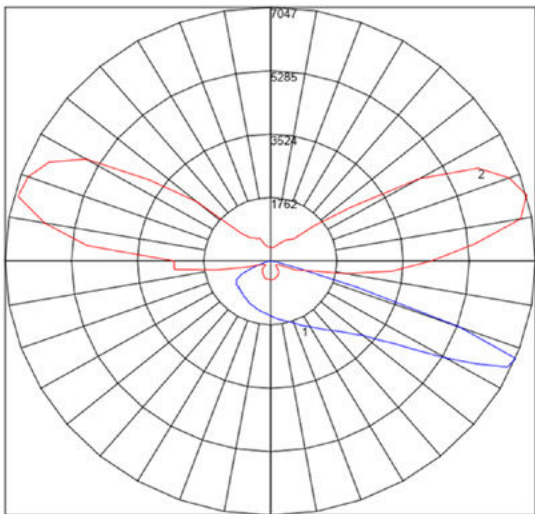
Located at horizontal angle: 0, Vertical angle : 13

#1: Vertical plane through horizontal angles (0-180)(through max Cd.)

#2: Horizontal cone through vertical angle (13)(through max Cd.)

50W FR 3500K

Polar Graph



Maximum Candela: 7047

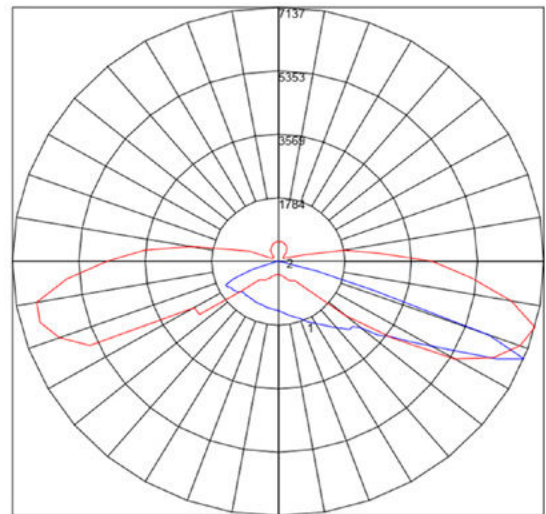
Located at horizontal angle: 15, Vertical angle : 67.5

#1: Vertical plane through horizontal angles (15-195)(through max Cd.)

#2: Horizontal cone through vertical angle (67.5)(through max Cd.)

50W FL 3500K

Polar Graph



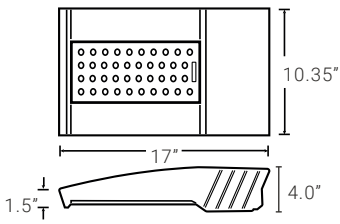
Maximum Candela: 7137

Located at horizontal angle: 345, Vertical angle : 67.5

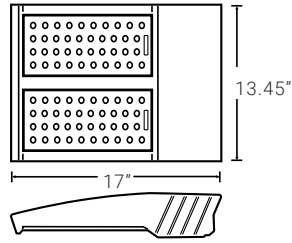
#1: Vertical plane through horizontal angles (345-165)(through max Cd.)

#2: Horizontal cone through vertical angle (67.5)(through max Cd.)

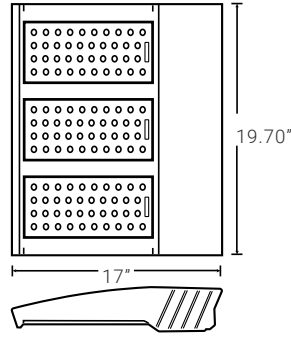
DIMENSIONS & DRAWINGS



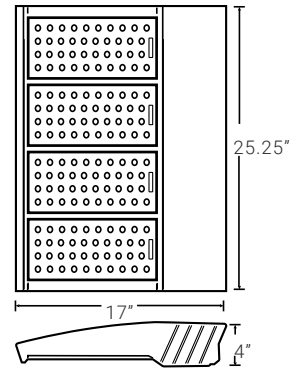
Small (SM)
Weight: 14 lbs.



Medium (MD)
Weight: 16 lbs.



Large (LG)
Weight: 24 lbs.



Extra Large (XL)
Weight: 37 lbs.

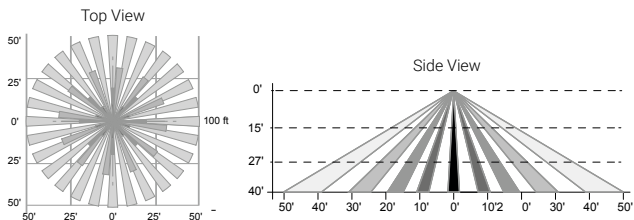
DIMENSIONS

Size	Length (in)	Width (in)	Height (in)	Weight (lb)
SM	17	10.35	4	14
MD	17	13.45	4	16
LG	17	19.70	4	24
XL	17	25.25	4	37

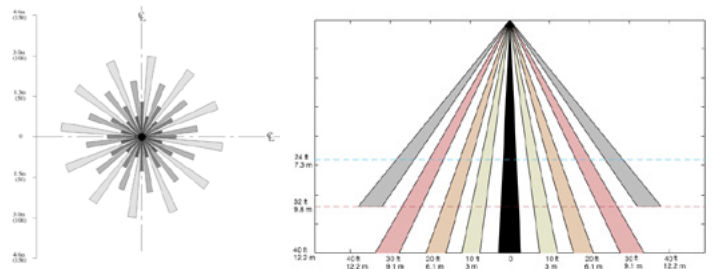
OCCUPANCY SENSORS

WATTSTOPPER

OCC40 / OCCDIM40



ULTRAPIRxx (For use with UltraLink)



EPA RATINGS

BEAM ANGLE	NO.	ITEM					
			0.58	0.81	1.15	1.29	1.29
0°	1	SM	0.58	0.81	1.15	1.29	1.29
	2	MD	0.58	0.85	1.15	1.30	1.30
	3	LG	0.58	0.98	1.15	1.32	1.32
	4	XL	0.58	1.07	1.15	1.33	1.33
15°	1	SM	0.59	1.11	1.17	1.69	1.69
	2	MD	0.67	1.25	1.33	2.00	2.00
	3	LG	0.97	1.56	1.94	2.90	2.90
	4	XL	1.24	1.83	2.48	3.73	3.73
30°	1	SM	0.85	1.44	1.70	2.55	2.55
	2	MD	1.10	1.69	2.21	3.31	3.31
	3	LG	1.60	2.19	3.20	4.80	4.80
	4	XL	2.04	2.63	4.08	6.12	6.12
45°	1	SM	1.15	1.74	2.29	3.44	3.44
	2	MD	1.48	2.07	2.97	4.45	4.45
	3	LG	2.14	2.73	4.29	6.43	6.43
	4	XL	2.74	3.33	5.47	8.21	8.21
60°	1	SM	1.37	1.96	2.74	4.11	4.11
	2	MD	1.77	2.36	3.54	5.32	5.32
	3	LG	2.56	3.15	5.11	7.67	7.67
	4	XL	3.26	3.85	6.52	9.78	9.78

EPA ratings measured in square feet.

FOOTNOTES

1. Check QPL for up-to-date listings.
2. Synapse, Daintree and Enlighted are available with extended lead time. Electrical changes and additional components required to make fixture compatible.
3. Requires an EnOcean switch, McWong sensor or a gateway for complete functionality.
4. Provide RAL or contact factory. Extended lead time.
5. Must specify left or right side. Contact factory.
6. Consult factory when installing 2 or more fixtures on a single pole with less than 180° separation between fixtures.
7. When ordering accessory with fixture, the fixture color will be applied. Custom color is a cost adder with extended lead time.
8. When ordering accessory with fixture, the fixture color will be applied. Custom color will have extended lead time.
9. Not DLC listed.
10. Contact your regional sales director.
11. Custom colors are a cost adder with extended lead time.
12. Glare shields have factory pre-drilled holes in the fixture for installation. Contact factory.
13. Please provide specific input voltage when specifying UltraLink controls to ensure the correct bill-of-materials. Linmore LED cannot manufacture your UltraLink order without this information.
14. ULTRA option not needed in fixture ordering number for enabling UltraLink when wiring fixtures in series with ULTRARELAY-5A or ULTRARELAY-20A. Do not exceed the rated amperage of the relay. To enable dimming, two additional wire conductors are needed for the 0-10V signal connected to the driver dim leads.
15. The performance of sensors and lenses is influenced by various factors beyond Linmore LED's control, including but not limited to environmental conditions, user settings, and proper maintenance. While we provide detailed specifications and guidelines to help optimize performance, we cannot guarantee or be held liable for the performance of sensors or lenses under any particular circumstance(s). Customers are advised to test the products in their specific application environments to ensure suitability for their intended use and are responsible for all sensor and lens selections.

Linmore LED Labs, Inc.

2360 S Orange Ave, Fresno, CA 93725

559 485 6010 | info@linmoreled.com | linmoreled.com

