



BRT-BL-812A



BRT-BL-812D



BRT-BL-813

PRODUCT DESCRIPTION:

Die-casting aluminum housing, corrosion and shock resistant; Self-orientated design of top covers for easy installation and Maintenance.

Suitable for garden, Plaza, Pedestrian Street, residential area and etc.

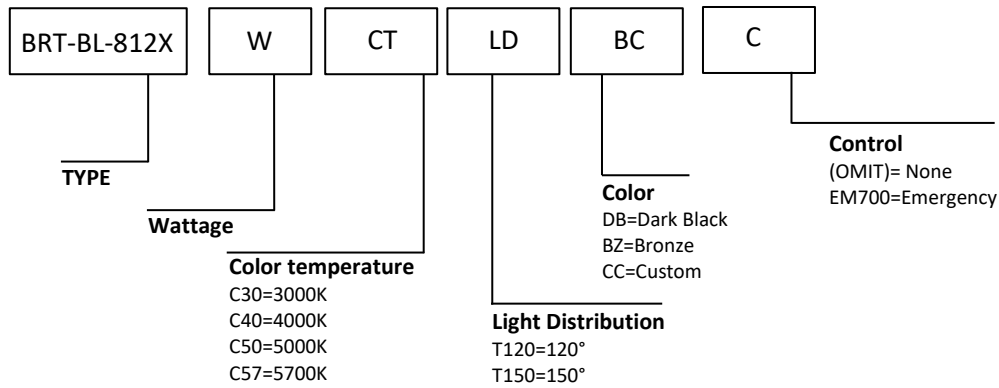
FEATURE:

- Replace up to 70W pulse start Metal Halide lamp.
- CCT 3000K / 4000K / 5000K
- CRI (CRA): > 70
- Universal 120-240/277V, 50/60Hz driver (347-480V optional)
- Lens angles: 120°/150°
- Without any hazardous material in fixture.
- LM79, LM80 available
- 5 years warranty.

Type	Wattage	CCT	Distribution	Finish	Voltage	Controls
	LED = HID 25w = 50w MH ----- 25w = 50w MH 35w = 70w MH	C30=3000K C40=4000K C50=5000K C57=5700K	T120= 120° ----- T150= 150°	DB = Dark Black BZ = Bronze CC = Custom	120-277	(OMIT)= None EM700=Emergency Battery Backup,700lm,90 min



Bright LED: Bollard Series

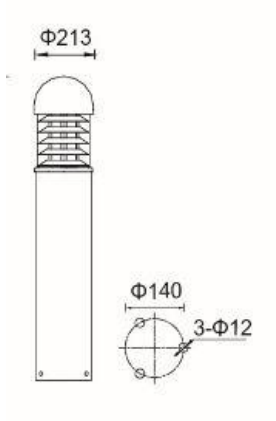


		BRT-BL-812A-25W-XX-TX-BC	BRT-BL-812D-25W-XX-TX-BC	BRT-BL-813-25W-XX-TX-BC
General Performance	Item	Specification		
		Details		
	Distribution	120°	120°	150°
	Input Power	25	25	25
	Lumens	1325	1925	1500
	Efficiency (Lm/W)	53	77	60
	CRI	≥70		
	Lumens Maintenance	L90>36,000 hours L70≥50,000 hours		
	Color Temperature	3000K/4000K/5000K		
Spacing Criteria	Available Upon Request			
Color Consistency	Proprietary binning for uniform color			
Electrical	Input Voltage	120-240/277V / 347-480V		
	Power Factor	≥0.95		
Physical	Weight	6.5 KG	8 KG	
	Housing	Extruded -aluminum		
	Lens/Reflector	Aluminum		
	Mounting	Ground installation		
	Operating Temperature	-4°F to 113°F		
	Humidity	20-85% RH, non-condensing		
Certification	Certification	cETLus, LM79, LM80		
	Intended Use	Business district, square, walking street, park, residence community etc.		
	Warranty	5 Years		

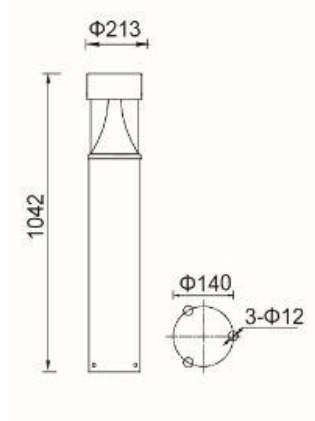
281-601-1133

www.brightledtx.com
info@brightledtx.com

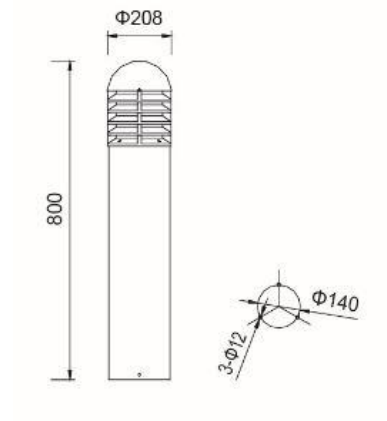
MOUNTING DETAIL:



BRT-BL-812D



BRT-BL-812D



BRT-BL-813