



BRT-BL-811A



BRT-BL-811D

PRODUCT DESCRIPTION:

Die-casting aluminum housing, corrosion and shock resistant; Self-orientated design of top covers for easy installation and Maintenance.

Suitable to install in garden, Plaza, Pedestrian Street, residential area and etc.

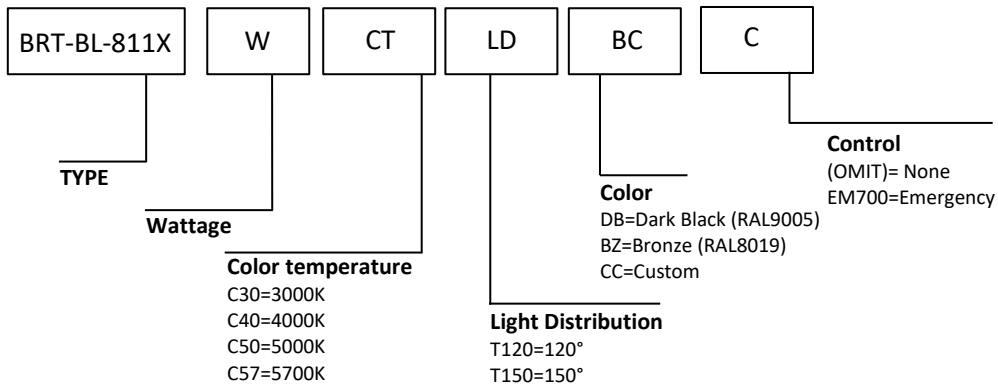
FEATURE:

- Replace up to 70W pulse start Metal Halide lamp.
- CCT ≤5700K ;
- CRI (CRA): > 70
- Universal 120-240/277V, 50/60Hz driver (347-480V optional)
- Lens angles: 120°/150°
- Without any hazardous material in fixture.
- LM79, LM80 available
- 5 years warranty.

| Type | Wattage | CCT | Distribution | Finish | Voltage | Controls |
|----------|---------------------------------------|-------------------------------------|---------------------|-------------------------------|---------|--|
| BRT-811X | LED = HID 25w = 50w MH | C30=3000K | T120= 120° | DB = Dark Black | 120-277 | (OMIT)= None EM700=Emergency Battery Backup,700lm,90 min |
| | ----- 25w = 50w MH 35w = 70w MH | C40=4000K C50=5000K C57=5700K | ----- T150= 150° | BZ = Bronze CC = Custom | | |



Bright LED: Bollard Series

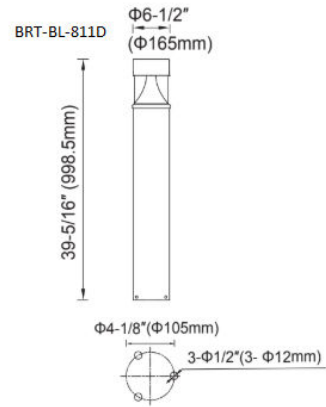
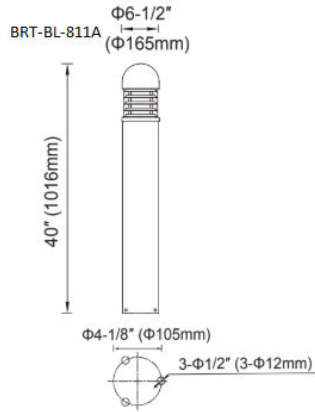


| | | BRT-BL-811A- 25W-XX-TX-BC | BRT-BL-811D- 25W-XX-TX-BC |
|----------------------------|-----------------------|---|---------------------------|
| Item | Specification | Details | |
| General Performance | Distribution | 120° | 150° |
| | Input Power | 25 | 25 |
| | Lumens | 1750 | 2500 |
| | Efficiency (Lm/W) | 70 | 100 |
| | CRI | ≥70 | |
| | Lumens Maintenance | L90>36,000 hours | L70≥50,000 hours |
| | Color Temperature | 3000K/4000K/5000K/5700K | |
| | Spacing Criteria | Available Upon Request | |
| | Color Consistency | Proprietary binning for uniform color | |
| Electrical | Input Voltage | 120-240/277V / 347-480V | |
| | Power Factor | ≥0.95 | |
| Physical | Weight | 6.5 KG | 8 KG |
| | Housing | Extruded -aluminum | |
| | Lens/Reflector | Aluminum | |
| | Mounting | Ground installation | |
| | Operating Temperature | -4°F to 113°F | |
| | Humidity | 20-85% RH, non-condensing | |
| Certification | Certification | cETLus, LM79, LM80 | |
| | Intended Use | Business district, square, walking street, park, residence community etc. | |
| | Warranty | 5 Years | |

281-601-1133

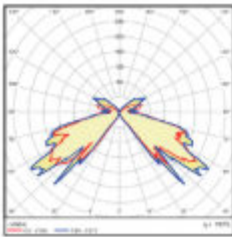
www.brightledtx.com
info@brightledtx.com

MOUNTING DETAIL:



LIGHT DISTRIBUTION DETAIL:

BRT-BL-811 A/C



BRT-BL-811 B/D

