



Catalog Number	
Project	Type

FEATURES & SPECIFICATIONS

APPLICATION

The LDV Series of Davit Arms were designed to mount directly onto a 3-1/2" OD tenon to allow the mounting of the Techlight LSMT, CTL, CTA Series LED Tennis Fixtures. The arms were designed to provide an appropriate amount of extension over the playing surface to keep pole locations away from the playing boundaries.

CONSTRUCTION

The heavy duty arm is constructed of steel tubing. Each arm provides approximately 3' of rise and 3' of extension towards the playing surface. LDV Davit Arms are available in the following mounting configurations: Single, Double 70 (degree glyph), Double 90, Double 180, Quad 70 and Quad 90.

FINISH

Super Durable Polyester powder coat finish is electrostatically applied in our state of the art paint facility. Standard colors available: Black, Bronze, US Green, White. Custom colors available upon request.

ORDERING INFORMATION

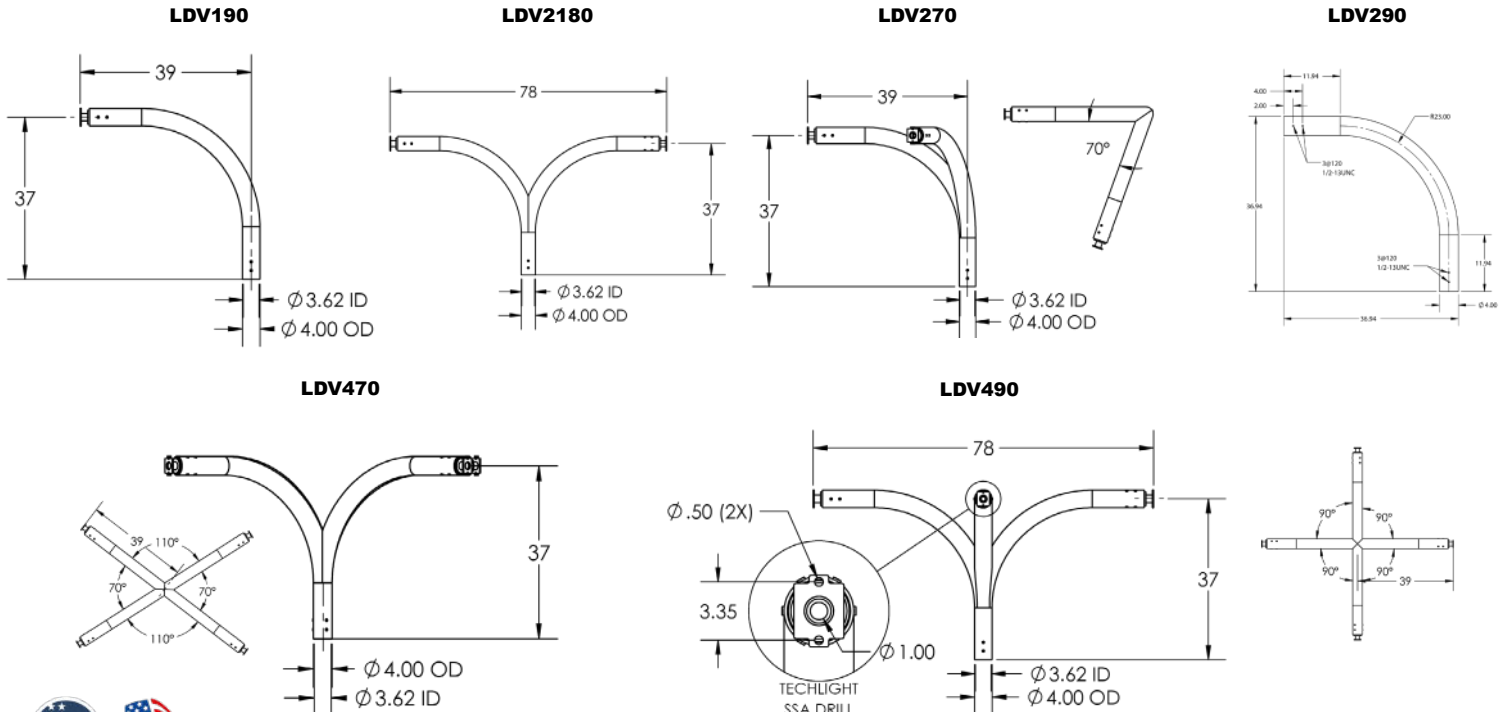
Choose the bold face options for the appropriate luminaire configuration for your application and enter on the line above each fixture attribute. Accessories may be factory installed, depending on the particular accessory chosen, but still be ordered as a separate line item.

**EXAMPLE:
LDV 190 BK**

LDV	REFLECTOR	FINISH
LDV	190 Single Arm	BK Black
	2180 Double Arm at 180°	GR US Green
	270 Double Arm at 70°	GBK Galvanized with Black Finish
	290 Double Arm at 90°	GGR Galvanized with US Green Finish
	470 Quad Arm at 70°	
	490 Quad Arm at 90°	

AVAILABLE MOUNTING DIMENSIONS

Dimensions shown are for mounting arms only. Fixture body options must be ordered separately.



LDV SERIES

Davit Arms

