

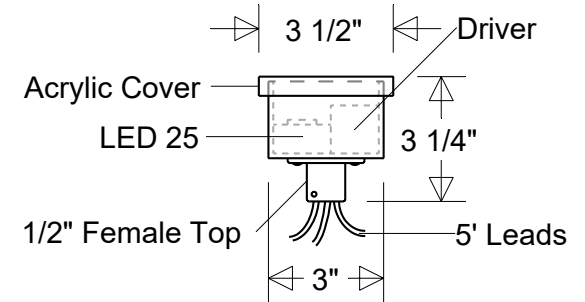
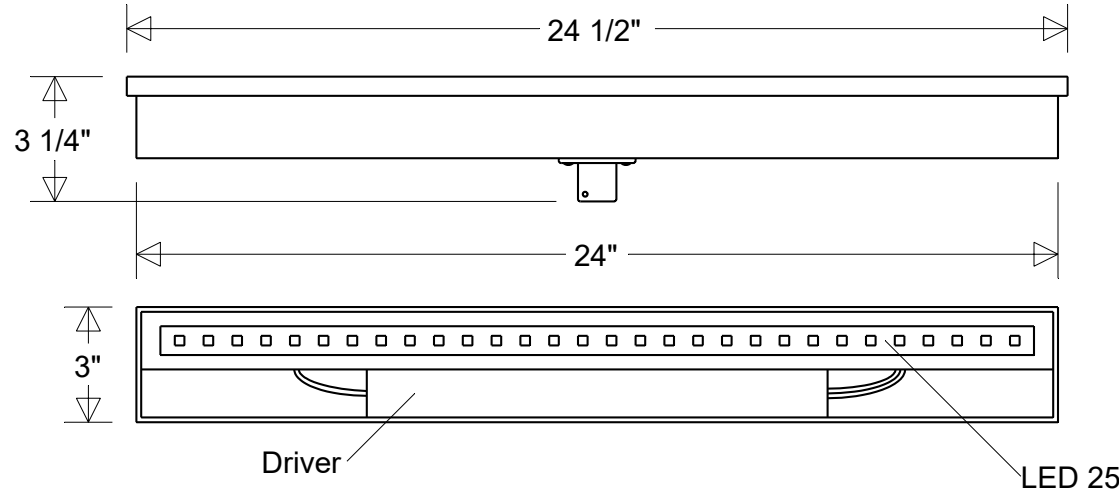


Primelite Manufacturing Corp.

407 S Main St, Freeport, NY 11520
 Phone: (516) 868-4411 | Fax: (516) 868-4609
 sales@primelite-mfg.com | www.primelite-mfg.com

PROUDLY MADE IN THE USA SINCE 1962!
"SPECIALTIES ARE OUR SPECIALTY!"

Job Info



#5744 A LED 25 Up Light

24 1/2" L | 3 1/2" W | 3 1/4" H
 Compatible with 1/2" IPS arms and stems

Lamp: 25 W LED

27K | 35K | 5K
 3900 Lumens

Voltage:
 120-277 V

Finish:

29 Oven Baked
 Powder Coated Paints

Material:
 Aluminum
 Acrylic Cover

Drawn:

CB
 08/2024

Note:

All dimensions are nominal.
 Actual dimensions may vary.

Scale:

1 : 5

Approvals
