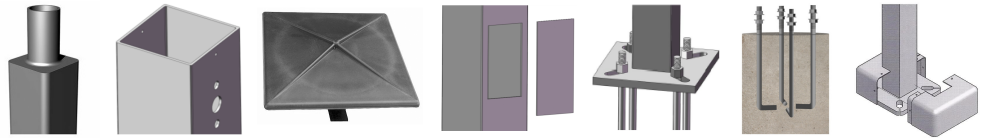
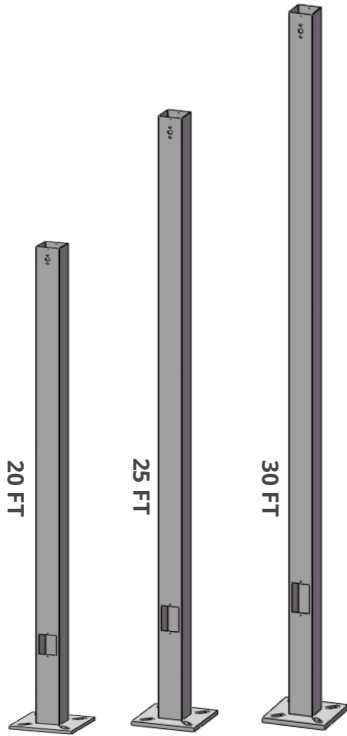


# Steel Poles

## Square Straight



### QUICK LINKS

[Ordering Guide](#)
[Configurations](#)
[Dimensions](#)
[EPA](#)

## FEATURES & SPECIFICATIONS

### Pole Shaft

- Straight poles are 4", 5" square.
- Pole shaft is electro-welded ASTM-A500 Grade B steel tubing with a minimum yield strength of 46,000 psi.
- On Tenon Mount steel poles, tenon is 2-3/8" O.D. high-strength pipe. Tenon is 4-3/4" in length.

### Hand-Hole

- Standard hand-hole on all 4 sides is provided on all sizes.
- Poles have ground bolt welded on hand-hole inside pole.
- Hand Hole reinforcement is Constructed of 4"x 5" rectangular steel tubing which is welded to pole shaft for added strength

### Base

- Pole base is ASTM-A36 hot-rolled steel plate with a minimum yield strength of 36,000 psi.
- Two-piece square base cover is optional.

### Anchor Bolts

- Poles are furnished with anchor bolts featuring zinc-plated double nuts and washers. Galvanized anchor bolts are optional.
- Anchor bolts conform to ASTM F 1554-07a Grade 55 with a minimum yield strength of 55,000 psi.
- Anchor Bolt Kit is optional.

### Pole Vibration Damper

- A pole vibration damper is recommended in open terrain areas of the country where low steady state winds are common.
- Non-tapered poles and lightly loaded poles are more susceptible to destructive vibration if a damper is not installed.

### Finishes

- Every pole is provided with Hot-dip galvanized to ASTM A-123 or Polyester powder coating, which bake at 200°C Or Both.

### Ground Lug

- Ground lug is standard.

### Optional Accessories:

- Removable snap in Black Pole Cap
- Two-piece Square Base Cover
- Square Anchor Base Plate Template
- Hot Dip Galvanized Anchor Bolts with Nuts and Washers.

### Determining The Luminaire/Pole Combination For Your Application:

- Select luminaire from luminaire ordering information
- Select bracket configuration if required
- Determine EPA value from luminaire/bracket EPA chart
- Select pole height
- Select MPH to match wind speed in the application area (See windspeed maps).
- Confirm pole EPA equal to or exceeding value of luminaire/bracket EPA
- Consult factory for special wind load requirements and banner brackets

# Steel Poles - Square Straight

## ORDERING GUIDE

[Back to Quick Links](#)

 TYPICAL ORDER EXAMPLE: **BRT SQP 20 4x4 BRZ**

Prefix	Mounting Method	Material	Height	Size	Mounting Configuration	Pole Finish
<b>BRTSQP</b>  4" x 4" Square Straight Pole  5" x 5" Square Straight Pole	<b>Bolt-On Mount</b> - See pole dimensions for patterns and fixture matches.  <b>B2</b> - 2" Reduced Drilling Pattern	S11G - 11 Ga. Steel (4" SQ only)  S07G - 07 Ga. Steel. (5" SQ only)	<b>20'</b> (4" SQ only)  <b>25'</b> (4" SQ and 5" SQ)  <b>30'</b> (5" SQ only)	<b>4X4</b> - 4 inch SQ  <b>5X5</b> - 5 inch SQ	S - Single/Parallel D180 - Double D90 - Double DN90 - Double T90 - Triple TN120 - Triple Q90 - Quad QN90 - Quad	<b>BRZ</b> - Bronze <b>BLK</b> - Black <b>GY</b> - Gray <b>WHT</b> - White <b>CM</b> - Custom Color
	<b>T</b> - Tenon Mount - See pole accessory options for tenon and fixture/bracket matches.				N - Tenon Mount (Standard tenon size is 2-3/8" O.D.)	
	<b>B</b> - Bullhorn - See pole accessory options for bullhorn and fixture/bracket matches.			Height Restriction Consult Factory		

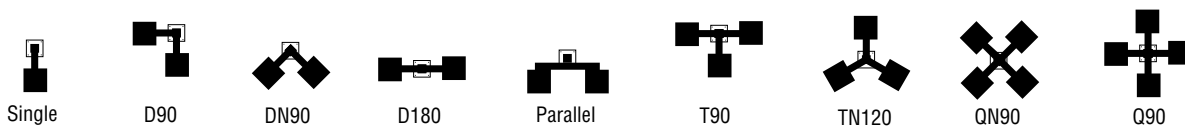
## Accessory Ordering Information

Description	Order Number
4BC - 4" Square Base Cover	BRT-4BC
5BC - 5" Square Base Cover	BRT-5BC
4TC - 4" Square Top Cover	BRT-4TC
4TC - 4" Square Top Cover	BRT-5TC
4BP - 4" Square Anchor Base Plate Template	BRT-4BP
5BP - 5" Square Anchor Base Plate Template	BRT-5BP
4AB - 3/4" Anchor Bolt Kit (1 set of 4 galvanized anchor bolts with nuts and washers)	BRT-4AB
5AB - 1" Anchor Bolt Kit (1 set of 4 galvanized anchor bolts with nuts and washers)	BRT-5AB

**FOOTNOTES:**

- 1 - See Area Light Brackets - 2" Reduced Drill Pattern
- 2 - Pole heights will have +/- 1/2" tolerance.
- 3 - See Flood Lighting Brackets section in spec sheets for choice of brackets.

## FIXTURE CONFIGURATIONS

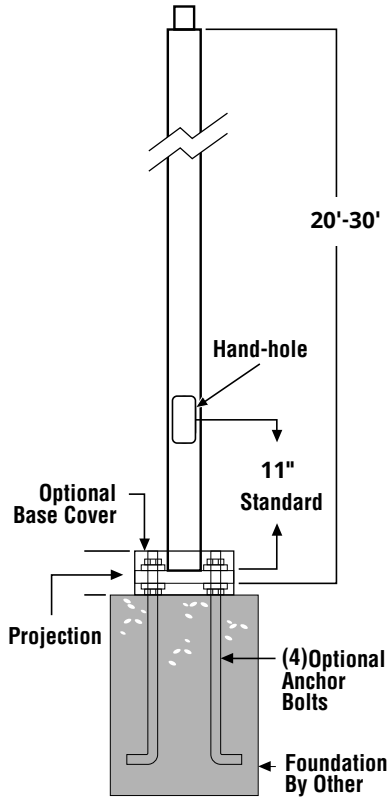


# Steel Poles - Square Straight

## PRODUCT DIMENSIONS

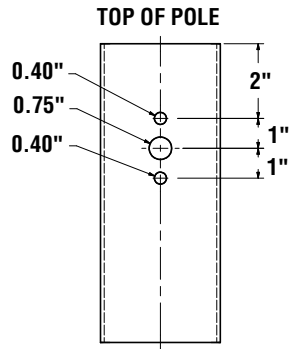
[Back to Quick Links](#)

SQT -  
N= 2-3/8" (60mm) O.D. x 4-3/4" (121mm) Tenon

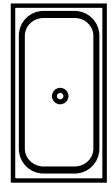


SHIPPING WEIGHTS	
4"(102mm) sq. 11 Ga. is approximately	7.50 lbs./ft.
5"(127mm) sq. 07 Ga. is approximately	12 lbs./ft.

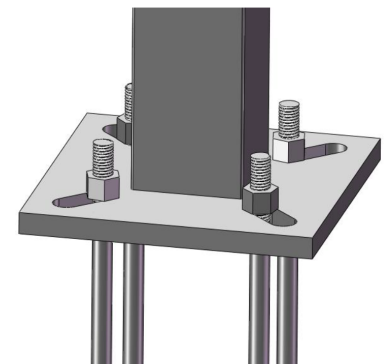
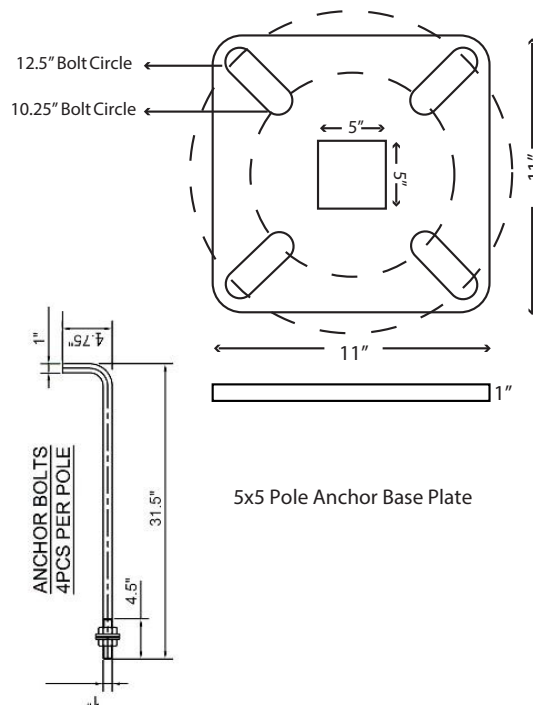
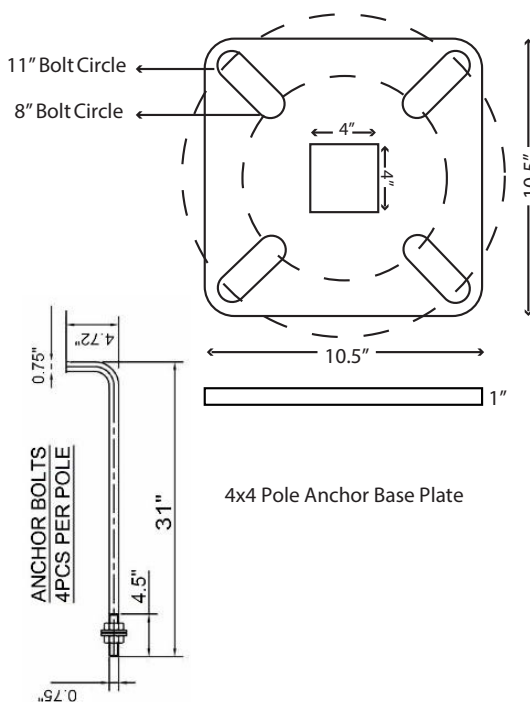
### Bolt-On Mount 2-Bolt Pattern (4 SIDES)



### Hand Hole

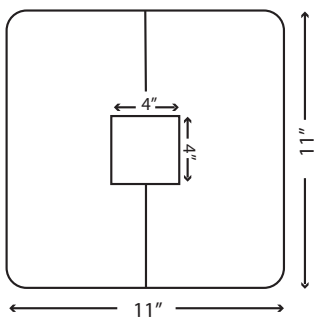


## ANCHOR AND ANCHOR BASE PLATE (Optional)

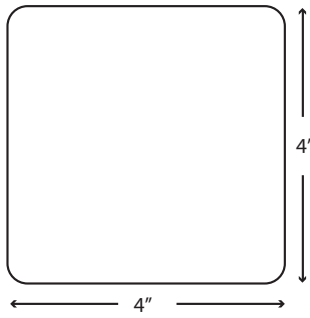


# Steel Poles - Square Straight

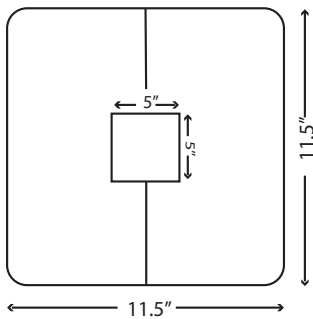
## BASE COVER AND TOP COVER (Optional)

[Back to Quick Links](#)


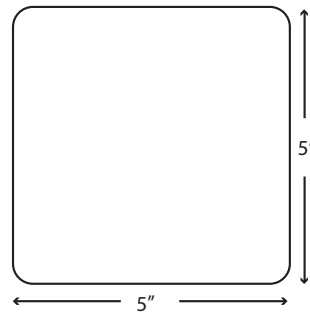
Base Plate Cover



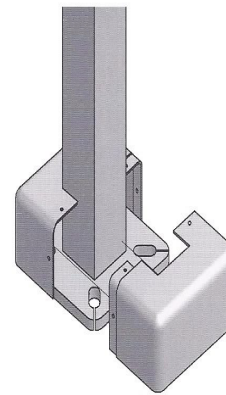
Top Cover



Base Plate Cover



Top Cover



## WIND SPEED- Effective Projected Area Load

POLE	Pole Height Length (ft)	Wall Thick (ga)	BOLT CIRCLE			EPA		
			Designator	Dia. (in)	Anchor bolt Dia {in}	80 MPH	95 MPH	100 MPH
4"	20	11	B	8" - 11"	0.75	10.1	12.5	11.3
4"	25	11	B	8" - 11"	0.75	6.2	6.2	8.5
4"	30	11	B	8" - 11"	0.75	8.2	7.2	6.4
5"	20	7	B	8" - 11"	1	6.3	5.4	4.7
5"	25	7	B	8" - 11"	1	4.6	3.9	3.2
5"	30	7	B	8" - 11"	1	7.6	6.6	5.7

Use ONLY with Wind Speed Map for ASCE 7-10

### EPA Information

All Bright LED poles are guaranteed to meet the EPA requirements listed. Bright LED is not responsible if a pole order has a lower EPA rating than the indicated wind-loading zone where the pole will be located.

CAUTION: This guarantee does not apply if the pole/bracket/fixture combination is used to support any other items such as flags, pennants, or signs, which would add stress to the pole. Bright LED cannot accept responsibility for harm or damage caused in these situations.

NOTE: Pole calculations include a 1.3 gust factor over steady wind velocity. Example: poles designed to withstand 80 MPH steady wind will withstand gusts to 115 MPH. EPAs are for locations 100 miles away from hurricane ocean lines. Consult Bright LED for other areas. Note: Hurricane ocean lines are the Atlantic and Gulf of Mexico coastal areas. For applications in Florida or Canada, consult factory.