



Katen Medium LED Area Light

Catalog Number	
Project	Type

FEATURES & SPECIFICATIONS

APPLICATION — The Katen Series of high output LED luminaires are designed for new outdoor lighting and to be a replacement for HID area lights. A compact, one-piece die cast housing, saving costs versus models that are extruded or cast and require additional parts. The heat sink is included in the actual casting, further minimizing the need for additional parts. Standard Arm Mount features an integral arm, increasing strength and simplifying installation. Each fixture can accommodate an optional twist-lock photocell which allows for further energy savings and an optional PIR sensor allows for security. They are optimal for lighting applications where long life, low maintenance, and consistent color rendering is required. The high lumen output allows the fixture to be used for parking, restaurant, quick service, shopping centers, or general area lighting applications. All KTN optics are Full Cutoff design. The new KTN LED Area Light delivers maximum value by providing significant energy savings, long life and outstanding photometric performance at an affordable price. The KTN M delivers 20,000 to 39,000 nominal lumens.

FINISH — Standard color available: Bronze, Black, White, Green, and Silver. Heavy-duty housing is constructed of cast aluminum with corrosion resistant powder coat finish.

MOUNTING — Available with several or multiple unique mountings, specifically designed to provide one-for-one, and in some cases two-for-one, solutions for replacing existing metal halide or high pressure sodium lighting. Features an integral universal mounting mechanism that allows the luminaire to be mounted on most existing drill hole patterns. This "no-drill" solution provides significant labor savings. An easy-access door on the bottom of mounting arm allows for wiring without opening the electrical compartment. A mast arm adaptor, adjustable integral slipfitter and other mounting configurations are available.



SERIES	LENGTH / WIDTH / HEIGHT
KTN M	13.6" x 2.5" x 22"

ELECTRICAL SYSTEM — Available in up to a 39,000 nominal lumens in most optical distributions with either 4000K Neutral White or 5000K Cool White color temperatures. Universal input voltage 120-277Vac, 50/60Hz; 347/480Vac. Operating temperature range -40°C to 40°C.

WARRANTY — The complete luminaire is covered by a 5-year limited warranty.

ORDERING INFORMATION

Choose the bold face options for the appropriate luminaire configuration for your application and enter on the line above each fixture attribute. Accessories may be factory installed, depending on the particular accessory chosen, but still be ordered as a separate line item.

EXAMPLE:

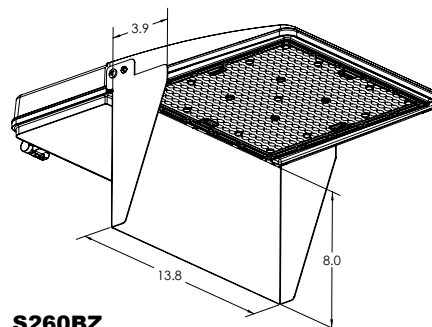
KTN M C 20L T3 1 BZ

KTN M							
SERIES	CCT	WATTAGE/NOMINAL LUMENS	OPTIC	VOLTAGE	OPTIC ROTATION	FINISH	OPTIONS
KTN M	N = 4000K C = 5000K	20L = 155 watt, 20,000 lumens 24L = 176 watt, 24,000 lumens 28L = 204 watt, 28,000 lumens 31L = 232 watt, 31,000 lumens 35L = 271 watt, 35,000 lumens 39L = 298 watt, 39,000 lumens	T3 = Type 3 T4 = Type 4 T5 = Type 5	1 = 120-277V ¹ 2 = 347 - 480V	L = Left Rotated Optics R = Right Rotated Optics (Leave Blank for standard optics)	BZ = Bronze BK = Black WH = White GR = Green SLV = Silver	PCR7 = 7-Pin Twist-Lock Photocell receptacle ANSIC136.41 with Shorting Cap IMS² = Fixture Mount Passive Infrared Motion Sensor (IMS Lenses Below, Ordered Separately) TLWSFSP-L3³ = 360° lens, maximum coverage 40' diameter from 20' height (IMS) TLWSFSP-L7³ = 360° lens, maximum coverage 100' diameter from 40' height (IMS)

ACCESSORIES (Order as separate line items)

- TLWSFSIR-100** Remote Handheld Sensor Configuration Tool for IMS
- PC2** 347-480V Twist-Lock Photocell
- PC7** Multip-Tap (105-285V) Twist Lock Photocell
- KTN 4RA** 4" Round Pole Adapter
- KTN 5RA** 5" Round Pole Adapter
- KTN 2AF** Slip Fitter
- KTN ARM** Arm
- KTN B25** Adjustable Arm
- KTN B15** Trunnion Mount
- S260BZ** House Side Shield for 20L - 39L
- PSJ163-600** 16 Gauge 3 Strand Lead Wire (color coded)

DIMENSIONS



S260BZ
House Side Shield for
20L - 39L

System Wattage	L70 @ 25°C	Amperage Draw					
		120V	208V	240V	277V	347V	480V
155W	>50K Hrs.	1.3	0.7	0.6	0.6	0.4	0.3
176W	>50K Hrs.	1.5	0.8	0.7	0.6	0.5	0.4
204W	>50K Hrs.	1.7	1.0	0.9	0.7	0.6	0.4
232W	>50K Hrs.	1.9	1.1	1.0	0.8	0.7	0.5
271W	>50K Hrs.	2.3	1.3	1.1	1.0	0.8	0.6
298W	>50K Hrs.	2.5	1.4	1.2	1.1	0.9	0.6

NOTES

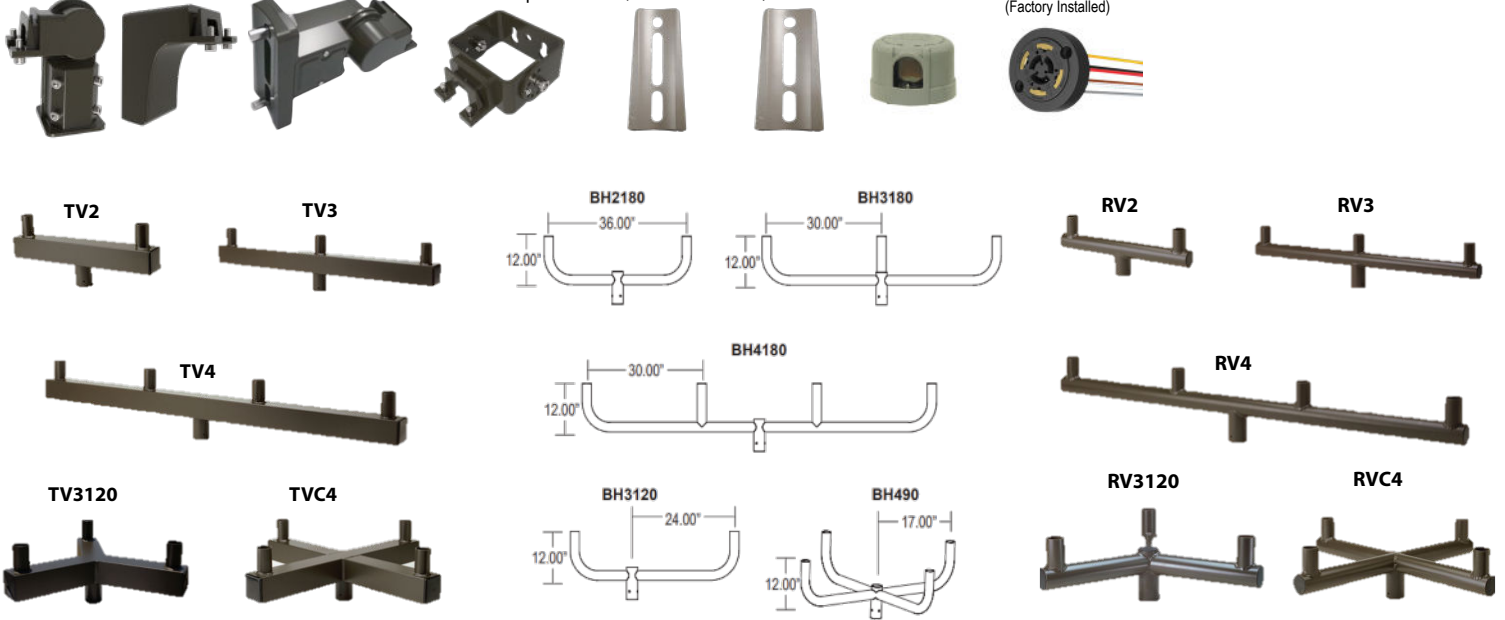
- 1 = Built-in 10kA Surge Protection. Different ratings are available.
- 2 = TLWSFSP-L3 or L7 Lens must be ordered along with this sensor.
- 3 = Photo control shield available upon request. Len's must be ordered with IMS option.



KTN M Katen Medium LED Area Light

Mounting Options/Accessories

- KTN 2AF**
Slip Fitter
- KTN ARM**
Arm
- KTN B25**
Adjustable Arm
- KTN B15**
Trunnion Mount w/side adaptor
- KTN 4RA**
4" Round Pole Adapter
- KTN 5RA**
5" Round Pole Adapter
- PC2**
347-480V Twist-Lock Photocell
- PCR7**
7-Pin Twist-Lock Photocell Receptacle ANSI C136.41 and Receptacle Shorting Cap (Factory Installed)



FIXTURE MOUNT SENSOR

APPLICATION — The sensor is ideal for areas such as parking facilities, gas stations, pedestrian pathways, and warehouses. A choice of four lenses ensures complete coverage for mounting heights up to 40'.

OPERATION — Typically, the sensor ramps lighting On to the selected High mode level when motion is detected and the ambient light level is below the hold off setpoint. After the sensor stops detecting movement and the time delay elapses, lights fade to the Low mode level. If there is no motion during the subsequent cut off time delay, the lights will turn Off. For dusk to dawn control, the integral photocell can switch the lights On and Off based on the ambient light level so that lighting remains on overnight even without motion detection.

FEATURES —

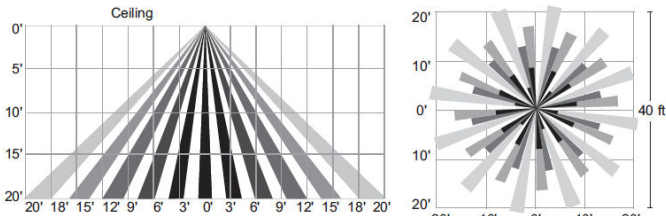
- Provides line voltage On/Off switching
- High and low modes fully adjustable from 0 to 10V
- Time delay from 5 to 30 minutes
- Optional cut off delay
- Adjustable ramp up and fade down times
- Optional daylighting setpoints feature automatic calibration, or permit manual adjustment
- Polycarbonate construction; flame retardant, UV resistant, impact resistant, recyclable
- UL244A and UL508



SENSOR LENSES FIELD OF VIEW

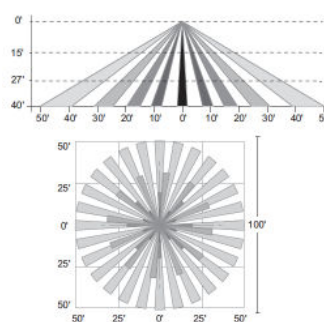
TLWSFSP-L3

360° lens, maximum coverage 40' diameter from 20' height



TLWSFSP-L7

360° lens, maximum coverage 100' diameter from 40' height



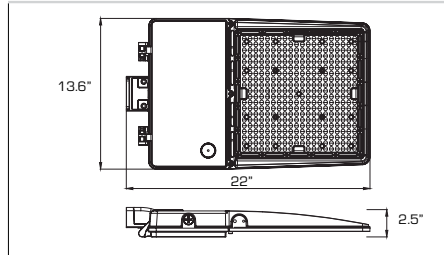
TECHLIGHT
INNOVATION IN ILLUMINATION

KTN M Katen Medium LED Area Light

AVAILABLE FIXTURE DIMENSIONS

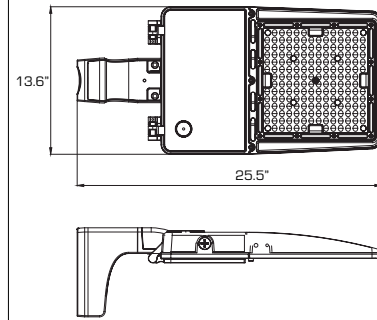
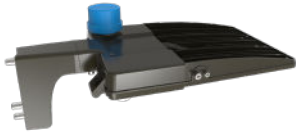
Dimensions shown are for fixture bodies only. Mounting options must be ordered separately. Fixture shown with arm sold separately.

KTN 30L - 39L



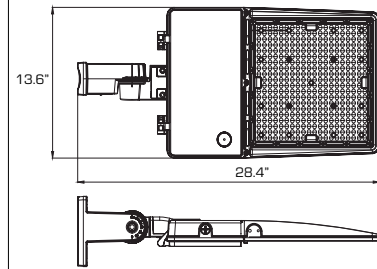
KTN ARM

Fixed Arm Mount



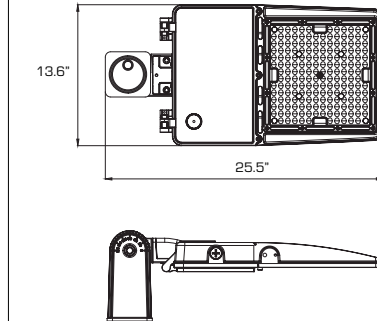
KTN B25

Adjustable Arm Mount



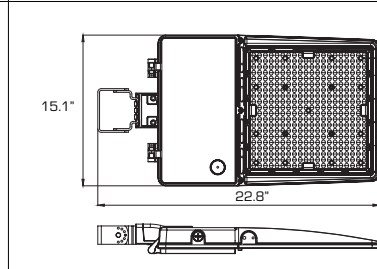
KTN 2AF

Slipfitter Mount



KTN B15

Trunnion Mount



EPA's RATING FOR VARIOUS MOUNTING CONFIGURATIONS [FT²]

Angle	240W - 300W				
	0	20	30	45	60
TV2	1.60	2.40	3.00	3.70	4.30
TV3	2.70	3.90	4.80	5.90	6.70
TV3120	1.90	2.80	3.40	4.10	4.70
TV4	3.80	5.40	6.60	8.10	9.20
TVC4	2.40	3.30	3.90	4.60	5.20
BH2180	1.10	1.90	2.50	3.20	3.80
BH3180	1.70	2.90	3.80	4.90	5.70
BH3120	1.40	2.40	2.90	3.70	4.20
BH4180	2.40	4.10	5.20	6.70	7.80
BH490	1.80	2.70	3.30	4.00	4.60
RV2	1.00	1.90	2.40	3.20	3.70
RV3	1.70	2.90	3.80	4.90	5.70
RV3120	1.30	2.30	2.80	3.60	4.10
RV4	2.30	3.90	5.10	6.60	7.70
RVC4	1.70	2.60	3.20	3.90	4.50
KTN 2AF	0.50	0.90	1.20	1.50	1.80
KTN B15	0.40	0.80	1.10	1.50	1.80
KTN B25	0.50	0.90	1.20	1.50	1.80
KTN B25 2180	0.90	1.70	2.30	3.00	3.60
KTN B25 290	0.80	1.20	1.50	1.90	2.20
KTN B25 390	1.20	1.60	1.90	2.30	2.60
KTN B25 3120	1.20	2.20	2.70	3.50	4.00
KTN B25 490	1.50	2.40	3.00	3.70	4.30
KTN ARM	0.50	n/a	n/a	n/a	n/a
KTN ARM 2180	0.90	n/a	n/a	n/a	n/a
KTN ARM 290	0.80	n/a	n/a	n/a	n/a
KTN ARM 3120	1.30	n/a	n/a	n/a	n/a
KTN ARM 3121	1.30	n/a	n/a	n/a	n/a
KTN ARM 490	1.60	n/a	n/a	n/a	n/a

KTN M Katen Medium LED Area Light

LUMINAIRE CHARACTERISTICS

Output ID	Nominal Lumens	TYPE III OPTIC			TYPE IV OPTIC			TYPE V OPTIC		
		Lumens	Wattage	Lm/W	Lumens	Wattage	Lm/W	Lumens	Wattage	Lm/W
		BUG Rating			BUG Rating			BUG Rating		
20L	20,000	20,921	155	135	20,544	155	133	20,712	155	134
		B3-U0-G4			B3-U0-G4			B3-U0-G4		
24L	24,000	24,005	176	136	23,573	176	134	23,765	176	135
		B3-U0-G4			B3-U0-G4			B3-U0-G4		
28L	28,000	28,177	204	138	27,670	204	136	27,895	204	137
		B3-U0-G4			B3-U0-G4			B3-U0-G4		
31L	31,000	32,350	232	139	31,768	232	137	32,027	232	138
		B4-U0-G4			B4-U0-G4			B4-U0-G4		
35L	35,000	37,414	271	138	36,741	271	136	37,040	271	137
		B4-U0-G4			B4-U0-G4			B4-U0-G4		
39L	39,000	41,587	298	140	40,838	298	137	41,171	298	138
		B4-U0-G4			B4-U0-G4			B4-U0-G4		

Output ID	Nominal Lumens	TYPE III OPTIC			TYPE IV OPTIC			TYPE V OPTIC		
		Lumens	Wattage	Lm/W	Lumens	Wattage	Lm/W	Lumens	Wattage	Lm/W
		BUG Rating			BUG Rating			BUG Rating		
20L	20,000	20,503	155	132	20,134	155	130	20,298	155	131
		B3-U0-G4			B3-U0-G4			B3-U0-G4		
24L	24,000	23,525	176	134	23,101	176	131	23,290	176	132
		B3-U0-G4			B3-U0-G4			B3-U0-G4		
28L	28,000	27,613	204	135	27,116	204	133	27,337	204	134
		B3-U0-G4			B3-U0-G4			B3-U0-G4		
31L	31,000	31,703	232	137	31,132	232	134	31,386	232	135
		B4-U0-G4			B4-U0-G4			B4-U0-G4		
35L	35,000	36,666	271	135	36,006	271	133	36,299	271	134
		B4-U0-G4			B4-U0-G4			B4-U0-G4		
39L	39,000	40,755	298	137	40,022	298	134	40,348	298	135
		B4-U0-G4			B4-U0-G4			B4-U0-G4		

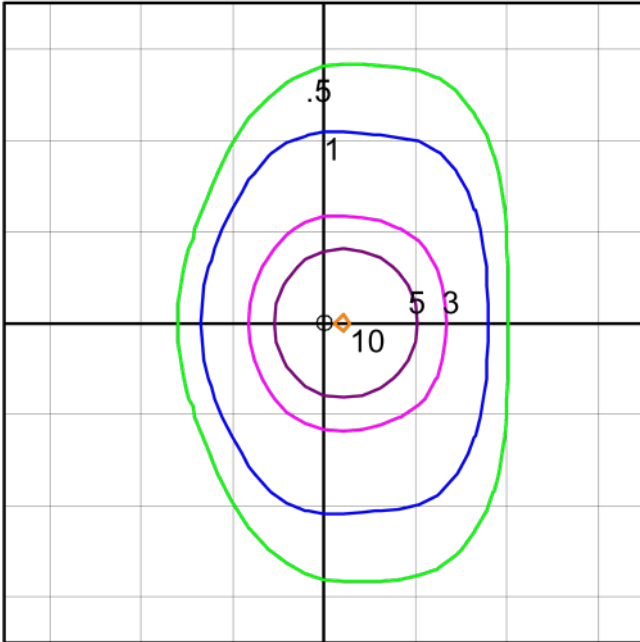


TECHLIGHT
INNOVATION IN ILLUMINATION

KTN M Katen Medium LED Area Light

PHOTOMETRIC CHARACTERISTICS

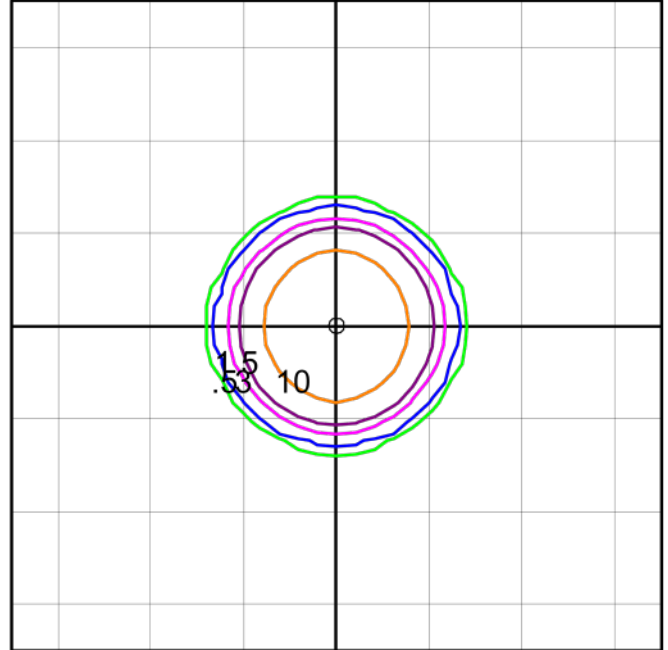
TYPE III OPTIC



www.TECHLIGHT.com
KTN M C 39L T3
Katen LED Parking Roadway Luminaire
LED

Horizontal Footcandles
Scale: 1 Inch = 30 Ft.
Light Loss Factor = 1.00
Lumens Per Lamp = N.A. (absolute photometry)
Luminaire Lumens = 41587
Mounting Height = 30.00 Ft
Maximum Calculated Value = 10.24 Fc
Arrangement: Single

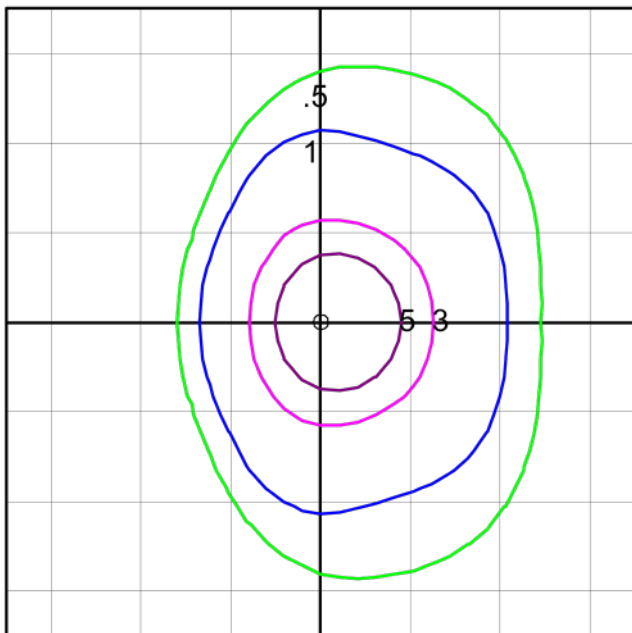
TYPE V OPTIC



www.TECHLIGHT.com
KTN M C 39L T5
Katen LED Parking Roadway Luminaire
LED

Horizontal Footcandles
Scale: 1 Inch = 30 Ft.
Light Loss Factor = 1.00
Lumens Per Lamp = N.A. (absolute photometry)
Luminaire Lumens = 41172
Mounting Height = 30.00 Ft
Maximum Calculated Value = 18.61 Fc
Arrangement: Single

TYPE IV OPTIC



www.TECHLIGHT.com
KTN M C 39L T4
Katen LED Parking Roadway Luminaire
LED

Horizontal Footcandles
Scale: 1 Inch = 30 Ft.
Light Loss Factor = 1.00
Lumens Per Lamp = N.A. (absolute photometry)
Luminaire Lumens = 40837
Mounting Height = 30.00 Ft
Maximum Calculated Value = 9.35 Fc
Arrangement: Single



TECHLIGHT
INNOVATION IN ILLUMINATION