

# LED COURANT

## LED Under Cabinet Light With Receptacles

The LED Courant is an easy-to-install, under cabinet task light with built-in 15A tamper resistant power receptacles. With a quick-access door to the wiring compartment and convenient push-in wire connectors, the LED Courant removes the visual clutter of in-wall receptacles while providing 90 CRI, 5CCT light selection.

- 5CCT selection (2700K, 3000K, 3500K, 4000K, 5000K)
- Diffused lens eliminates dotting
- 15A tamper resistant receptacles built in
- Multiple length options to fit any need
- Up to 2000 Lumens (40" model)
- Low profile design - less than 2" high
- Direct wire installation
- Dimmable with most Triac and ELV dimmers (when wired on two separate circuits)
- cETLus Listed for indoor dry locations
- 35,000 hours rated life

PROJECT: \_\_\_\_\_

TYPE: \_\_\_\_\_

LOCATION: \_\_\_\_\_

CATALOG NUMBER: \_\_\_\_\_



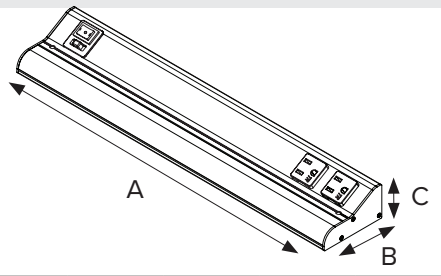
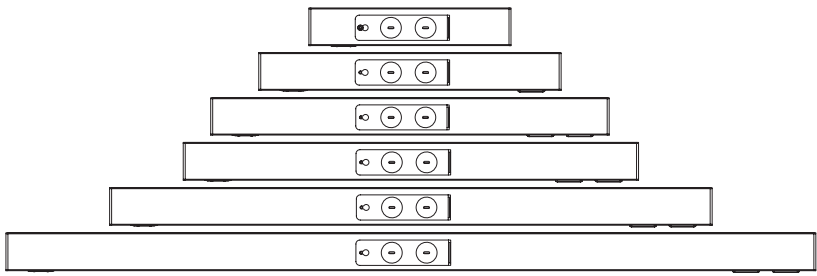
### LED COURANT QUICK SPECS

<b>VOLTAGE</b>	120V AC
<b>WATTAGE</b>	5W / 7.5W / 12W / 15W / 20W / 25W
<b>LUMENS</b>	390-2000
<b>CCT</b>	5CCT Selectable - 2700K / 3000K / 3500K / 4000K / 5000K
<b>CRI</b>	90
<b>DIMMING</b>	5-100%* with most Triac/ELV dimmers
<b>BEAM ANGLE</b>	120°
<b>CERTIFICATIONS</b>	cETLus Listed - Indoor, Damp Locations; JA8 Certified
<b>RATED LIFE</b>	35,000 hours

\*This product is suitable for use in dimming circuits only when wired on two separate circuits (light fixture on dimming circuit & receptacles on GFCI circuit). It is compatible with most standard TRIAC, CL, and ELV dimmers (5-100% light control). When wired in combination (light and receptacle on the same circuit), do not connect fixture to any dimmer. Minimum loads may apply. Per the NEC, switched wall outlets cannot be used with wall dimmers.

### LED COURANT DIMENSIONS

Universal central knockout located on backend of fixture, regardless of fixture size.



Part Number	A	B	C	Receptacle Qty
UCR-5CCT-8	8"	3"	1.5"	0
UCR-5CCT-12	12"	3"	1.5"	1
UCR-5CCT-18	18"	3"	1.5"	2
UCR-5CCT-24	24"	3"	1.5"	2
UCR-5CCT-32	32"	3"	1.5"	2
UCR-5CCT-40	40"	3"	1.5"	2

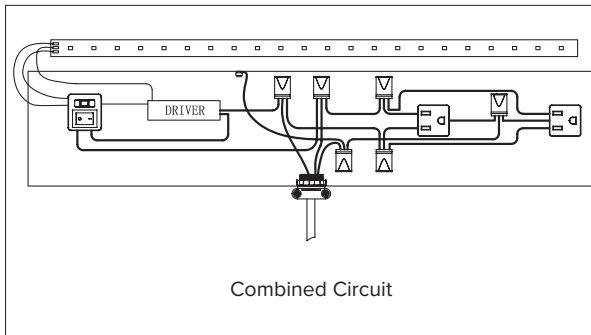
**LED COURANT ORDERING INFORMATION**

ITEM NUMBER	CCT	LENGTH	LUMENS	WATTAGE	VOLTAGE	CRI	BEAM ANGLE	DIMMING	RECEPTACLES
UCR-5CCT-8-WH	5CCT	8"	435Lm	5W	120V AC	90	120°	TRIAC/ELV	0
UCR-5CCT-8-BK	5CCT	8"	390Lm	5W	120V AC	90	120°	TRIAC/ELV	0
UCR-5CCT-12-WH	5CCT	12"	630Lm	7.5W	120V AC	90	120°	TRIAC/ELV	1
UCR-5CCT-12-BK	5CCT	12"	525Lm	7.5W	120V AC	90	120°	TRIAC/ELV	1
UCR-5CCT-18-WH	5CCT	18"	995Lm	12W	120V AC	90	120°	TRIAC/ELV	2
UCR-5CCT-18-BK	5CCT	18"	880Lm	12W	120V AC	90	120°	TRIAC/ELV	2
UCR-5CCT-24-WH	5CCT	24"	1180Lm	15W	120V AC	90	120°	TRIAC/ELV	2
UCR-5CCT-24-BK	5CCT	24"	1080Lm	15W	120V AC	90	120°	TRIAC/ELV	2
UCR-5CCT-32-WH	5CCT	32"	1625Lm	20W	120V AC	90	120°	TRIAC/ELV	2
UCR-5CCT-32-BK	5CCT	32"	1440Lm	20W	120V AC	90	120°	TRIAC/ELV	2
UCR-5CCT-40-WH	5CCT	40"	2000Lm	25W	120V AC	90	120°	TRIAC/ELV	2
UCR-5CCT-40-BK	5CCT	40"	1790Lm	25W	120V AC	90	120°	TRIAC/ELV	2

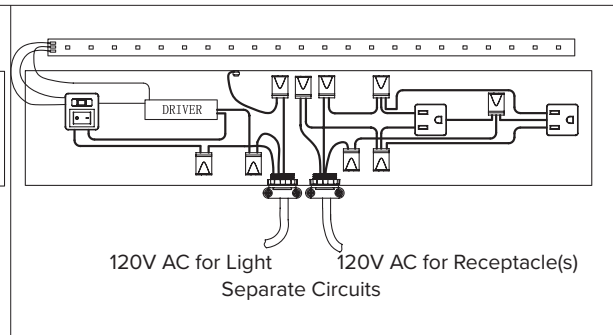
UCR-5CCT fixtures include: (2) 3/4" Cable Clamps, (2) Push-In Wire Connectors

**LED COURANT WIRING INFORMATION**

- Combined Circuit**  
 (Light & Receptacles on Same Circuit)
- Not suitable for dimming
  - Receptacles are auxiliary to NEC Code



- Separate Circuits**  
 (Light & Receptacles on 2 Independent Circuits)
- Suitable for dimming
  - Receptacles count towards NEC Code Requirement





# AMERICAN LIGHTING WARRANTY

## LIMITED WARRANTY FOR LED PRODUCTS: 5 YEARS

### LIMITED PRODUCT WARRANTY

Our products are warranted to be free from defects in material and workmanship for the warranty period listed. Warranty periods begin from the date of shipment from American Lighting Inc's warehouse to the original purchaser. Products that prove to be defective during their specific warranty period will be either repaired or replaced, at the sole discretion of American Lighting Inc. Claims for defective products must be submitted in writing to American Lighting Inc's RGA Department within the warranty period. Upon approval of such return, American Lighting Inc reserves the right to inspect the product for misuse or abuse. Claims for indirect or consequential damages or for product that, in American Lighting Inc's opinion, has been misused will be denied. This is a warranty of product reliability only and not a warranty of merchantability or fitness for a particular purpose. American Lighting Inc shall have no liability whatsoever in any event for payment of incidental or consequential damages, including, without limitations, installation costs and/or damages for personal injury and/or property. These products may represent a possible shock or fire hazard if improperly installed or altered in any way. This warranty does not apply to any product that has not been properly installed in accordance with current local codes and/or the National Electrical Code. Products that require a transformer, driver, or power supply must be used in conjunction with American Lighting Inc's recommended power supply to ensure safety and retain product warranty.

### PRODUCT SPECIFICATIONS

For the latest product information, updates, instructions and details concerning specifications, colors, finishes, performance, installation and design, visit [www.americanlighting.com](http://www.americanlighting.com). Color may vary from the color printed herein due to limitations in photographic and printing processes. American Lighting Inc. reserves the right to change product specifications without notice. Other product specifications such as color temperature, wavelength characteristics and lumen output are subject to production limitations and may vary. LED technology is changing rapidly, and not all color temperatures and performance levels can be duplicated at a later time. Best practices include purchasing 10-15% more for a particular project on the same initial order where white LED color temperatures must be maintained over project and product life. Eventual product replacement should be considered at layout and design stages. Best practices also include testing connections and product performance prior to mounting and/or installing.

### AVERAGE LIFE

Average incandescent lamp life, rated life and average life are terms used to describe the number of hours at which half of the lamps have failed. For LEDs, the hours of rated life specify the point where 70% of original lumen output is reached. Below this point, the effective life is over, however, the LED may still emit light. Individual results may vary with actual environmental conditions including, but not limited to, proper installation, ambient temperature and/or input voltage fluctuations.