



## SMALLEST SIZES

FIT IN MORE APPLICATIONS

## HIGH EFFICACY

155LM/W

## DIMMING

1 -10V DIMMING

## PRODUCT FEATURES

- High performance LED chips, allows 155lpw efficacy for unit lamp.
- Small & compact body size, allows for more applications, less headache for installation.
- E26, E39, EX39 base workable for full range.
- 1-10V dimming, most competitive solution.
- UL approved for enclosed applications.
- Wider LED board, better uniformity of light emission.
- Damp location

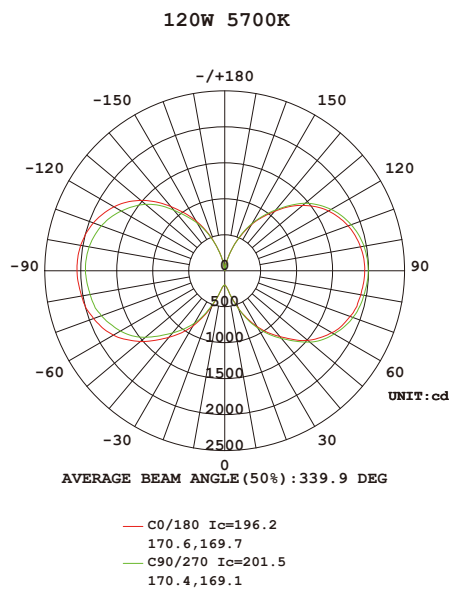
## APPLICATIONS

Warehouse / Work Shop / Parking Garage / Super Market / Hotel

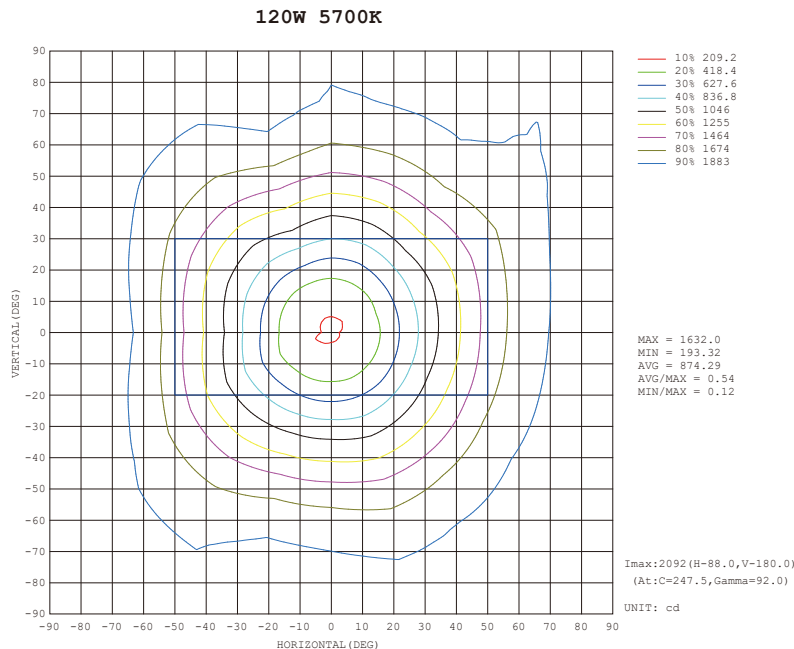
## SPECIFICATIONS

Model#	Power	Lumens	CRI		Input Voltage	Base	Operation Temp.	Life Hrs
BRT-CB2-60	60	9300lm	>80	2700K,3000K, 4000K,5000K, 5700K,6000K, 6500K	120-277V	E26 E39/EX39	-40~+113°F -40~+45°C	>50,000hrs
BRT-CB2-80	80	12400lm	>80		120-277V	E26 E39/EX39	-40~+113°F -40~+45°C	>50,000hrs
BRT-CB2-100	100	15500lm	>80		120-277V	E26 E39/EX39	-40~+113°F -40~+45°C	>50,000hrs
BRT-CB2-120	120	18600lm	>80		120-277V	E39/EX39	-40~+113°F -40~+45°C	>50,000hrs

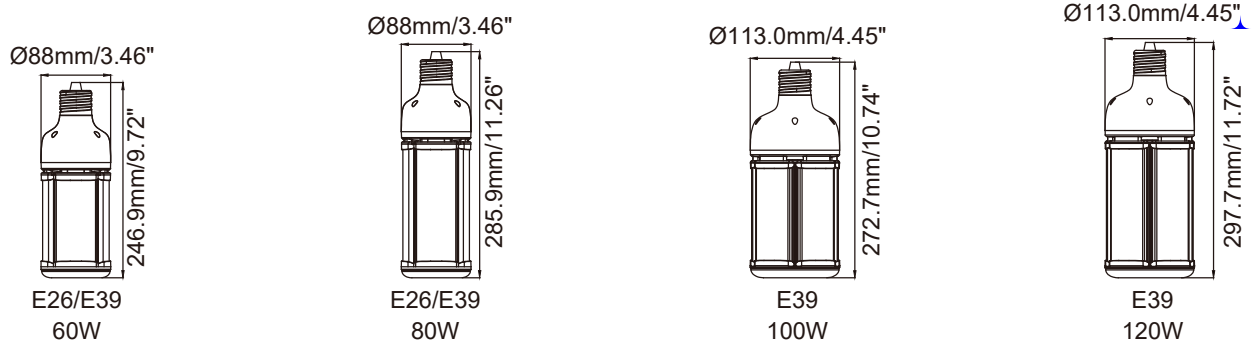
## LUMINOUS INTENSITY DISTRIBUTION DIAGRAM



## ISOCANDELA DIAGRAM



## DIMENSIONS



## PACKING INFO

Item#	Qtys/Ctn	N.W./Ctn	G.W./Ctn	Ctn Size	Single Ctn(CBM)	Loading Qtys	
						20GP	40HQ
BW-CL-G5 60W	12pcs	11.4KGS 25.08LBS	12.4KGS 27.28LBS	400x305x303mm 15.75"x12.01"x11.93"	0.037	8808	20916
BW-CL-G5 80W	12pcs	12.6KGS 27.72LBS	13.6KGS 29.92LBS	400x305x342mm 15.75"x12.01"x13.46"	0.042	7848	18420
BW-CL-G5 100W	12pcs	13.68KGS 30.09LBS	14.68KGS 32.30LBS	400x305x357mm 15.75"x12.01"x14.06"	0.044	7500	17580
BW-CL-G5-120W	6pcs	10.2KGS 22.44LBS	11.2KGS 24.64LBS	375x255x360mm 14.76"x10.04"x14.17"	0.034	4848	11382

## INSTALLATIONS

### Replacing HPS/HID Lamp

