

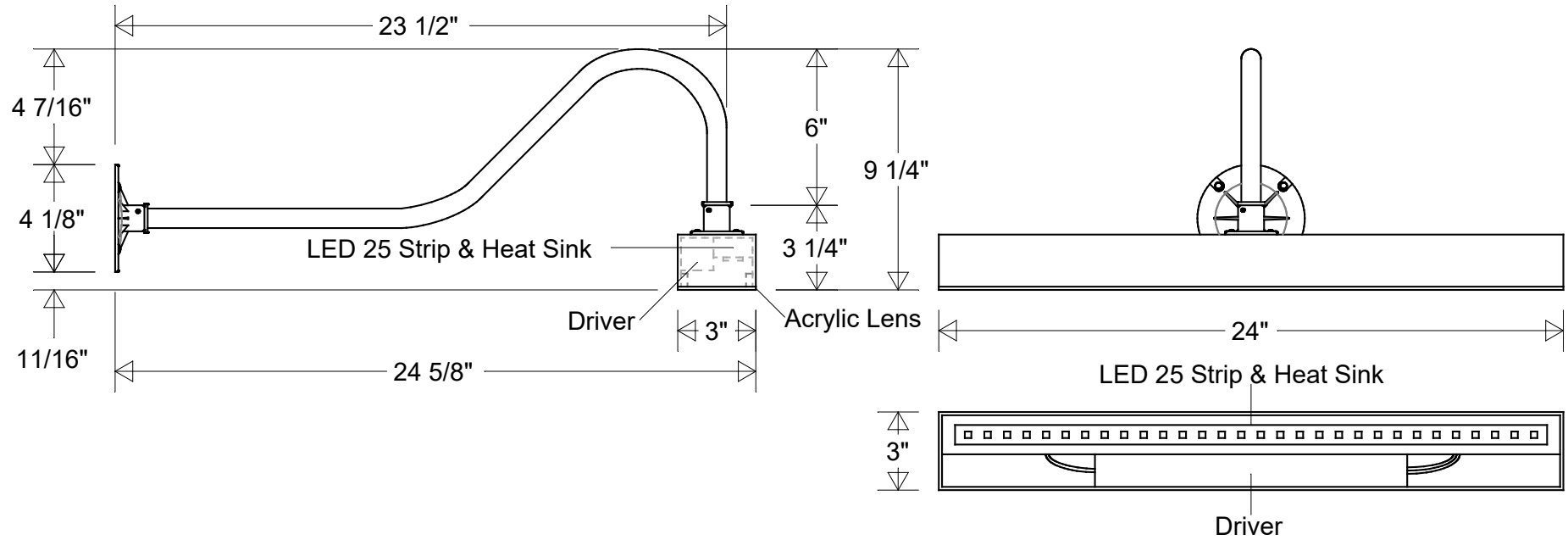


Primelite Manufacturing Corp

407 S Main St, Freeport, NY 11520

Phone: 516-868-4411 | Fax: 516-868-4609
 sales@primelite-mfg.com | www.primelite-mfg.com

PART # #5744/850 LED 25	LAMP Built-In LED	VOLTAGE 120 - 277 V	COLOR Powder Coated Paint
JOB NAME			TYPE Linear Wall Light



Lamp: LED 25 Strip 35K = 3920 Lumens 5K = 3920 Lumens	Initials	Date
Drawn	CB	09/2022
Checked		
ENG Appr.		
MFR Appr.		
QA		
Construction: Aluminum Acrylic	Weight:	Scale
Unless Otherwise Specified: Dimensions in Inches		

Wall Light #5744/850 LED 25		
24" L 24 5/8" Ext 9 1/4" H		
Acrylic Lens: White (-3) Clear (-4) Frosted (-5)		
Size A	Drawing No. 0001	Rev A
CAD File	Sheet 1 of 1	

Revisions				
Zone	Rev	Description	Date	Appr