



Catalog Number	
Project	Type

FEATURES & SPECIFICATIONS

APPLICATION — The LUV SERIES provides uniform light irradiance, optimal heat dissipation and most notably true color. It is perfect for outdoor landscape with E26/E27 medium screw bases. This UL-Listed, energy-efficient LED lamp uses less power than its HID predecessors. They're also great for outdoor fixtures with weatherproof housings, such as garage lights, security lights and landscape lights. Using powerful LEDs, this dimmable LED flood lamp emits up to initial 3000 lumens of daylight white illumination in a wide 90° beam. Available in green frosted dome lens, lessens shadows and disperses light evenly with a gradual fade into nonilluminated areas simulating a "Moonlighting" effect. The LED flood lamp operates with 120Vac and is designed to last 20 times longer than similar incandescent lamps. For outdoor landscape application, surge protection device is recommended (Min. 1 per circuit.). For installation in R40 size bullet fixture, socket extension is recommended.

ORDERING INFORMATION

Choose the bold face options for the appropriate luminaire configuration for your application and enter on the line above each attribute.

EXAMPLE: **LUV PAR38 20W 27K**

LUV			
SERIES	SIZE	WATTAGE	COLOR TEMPERATURE
	PAR38	20W = 20 Watt	27K = Ultra Warm White (2700K) 30K = Warm White (3000K) 40K = Cool White (4000K) 65K = Daylight White (6500K) GR = Moonlight Green

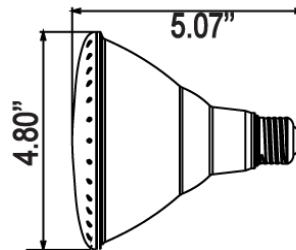
LUV SERIES

PAR38 LED Lamps



SERIES	DIAMETER & WIDTH
LUV	4.80" x 5.07"

DIMENSIONS



Picture shown:
LUV PAR38 20W GR

TECHNICAL DATA

Item	LED Lamp
Lamp Shape	PAR38
Overall Lamp Base Type	Medium Screw E26/27
Light Technology	LED
Color Temperature	2700K, 3000K, 4000K, 6500K, GR
Nominal Lumens	2650lm
Efficacy	133lm/w
Lumen Equivalency	100W Mercury Vapor HID
Watts	20W
Voltage	120VAC (108-132 VAC)
Dimmable¹	Yes (see page 2 for compatible dimmer list)
Lamp Beam Angle	90 Degrees
Lamp Primary Application	Flood

Lamp Diameter	4.80" Dia. x 5.07" Height
Lamp Housing	Glass
Lamp Type	Reflector
Indoor/Outdoor Usage	Indoor/Outdoor Enclosed Fixtures
Structure	Enclosed
Color Rendering Index	80
Certification	UL Listed
Input Frequency	60Hz
Input Current	170mA
L70 Rated Life	25,000 hr
Lamp Operating Temp. Range	-13°F to 104°F
Power Factor	>0.9
Lamp Manufacturers Warranty Length²	3 yr

IMPORTANT: LUV Series, of PAR LAMPS, cannot be used in Recessed, Well/Burial or Inground fixtures. Please contact your sales rep for alternative options.

NOTES

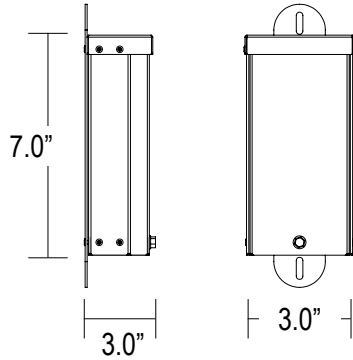
1 = See page 2 for details.

2 = Recommend to use external surge protector on each circuit to keep warranty valid. See FSPENCA277V specification sheet for details.

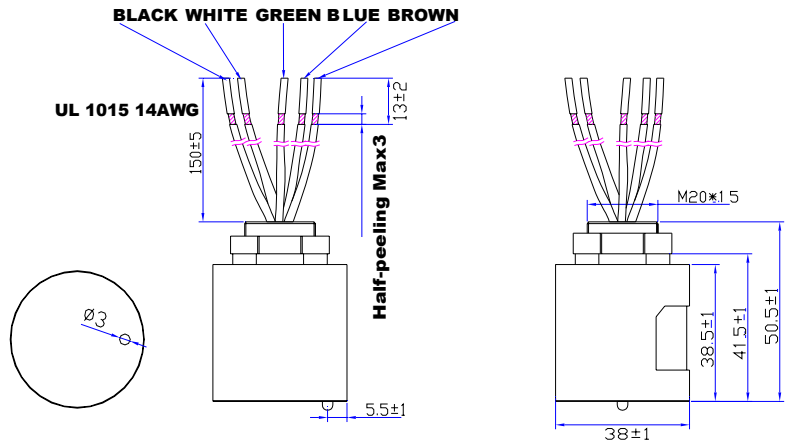


ACCESSORY (Order as separate line items)

FSPENCA277V - 120-277V Fused surge protector (102549) with aluminum enclosure



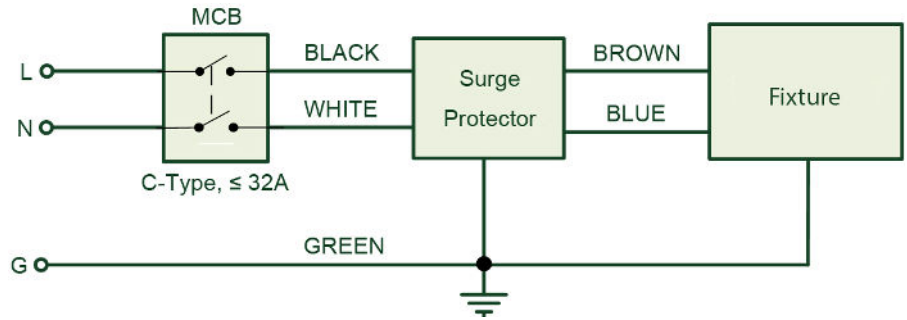
102549 DIMENSIONS



102549² - 10kA Surge Protective Device

- 90-305 Vac Working Input Voltage
- 15 kA Maximum, 10 kA Nominal (15 strikes) Surge Current Rating Using Industry Standard 8/20us Wave
- UL1449 Type 4, EN 61643-11 - Surge Protective Devices T2 & T3
- IEEE C62.41.2 Location Category C High
- High Temperature, 85C Maximum Ambient
- Flameproof Plastic Enclosure
- IP66
- Compatible with Inventronics LED Drivers
- "Series" Wiring Configuration

102549 WIRING DIAGRAM (IN SERIES)



COMPATIBLE DIMMER LIST

Brand	Model Number	Specification Sheet
LUTRON	MACL-153M-WH	https://www.lutron.com/TechnicalDocumentLibrary/369613a.pdf
LUTRON	DVCL-153P-WH	https://www.lutron.com/TechnicalDocumentLibrary/369682.pdf
LUTRON	MACL-153MH-WH	https://www.lutron.com/TechnicalDocumentLibrary/369613a.pdf
LUTRON	TGCL-153P-WH	https://www.lutron.com/TechnicalDocumentLibrary/0301870.pdf
LUTRON	DVCL-153PR-WH	https://www.lutron.com/TechnicalDocumentLibrary/0301882.pdf
LUTRON	CTCL-153PDH-WH	https://www.lutron.com/TechnicalDocumentLibrary/0301882.pdf
LUTRON	P-PKG1W-WH	https://www.lutron.com/TechnicalDocumentLibrary/3683537CAa_Caseta%20Brochure%202.pdf
LEVITON	DSE06-001-10Z	https://www.leviton.com/en/docs/Leviton_Dimmer_Buying_Guide.pdf https://www.leviton.com/en/docs/DI-000-DSE06-02A-X3.pdf
LEVITON	DDMX1-011-BLZ	https://www.leviton.com/en/docs/Leviton_Dimmer_Buying_Guide.pdf https://www.leviton.com/en/docs/DI-000-DDMX1-02A.pdf
LUTRON	RADIORA2 RRD-6CL-WH	https://www.lutron.com/TechnicalDocumentLibrary/044343.pdf



TECHLIGHT
INNOVATION IN ILLUMINATION