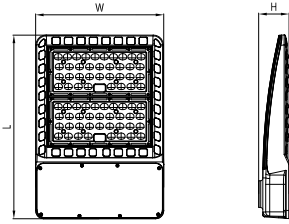
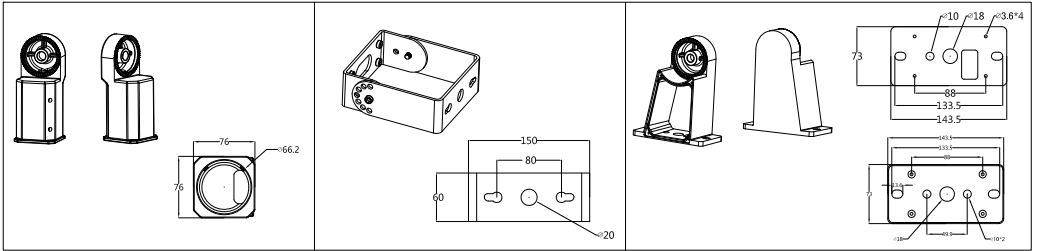


## JLD LED AREA LIGHT



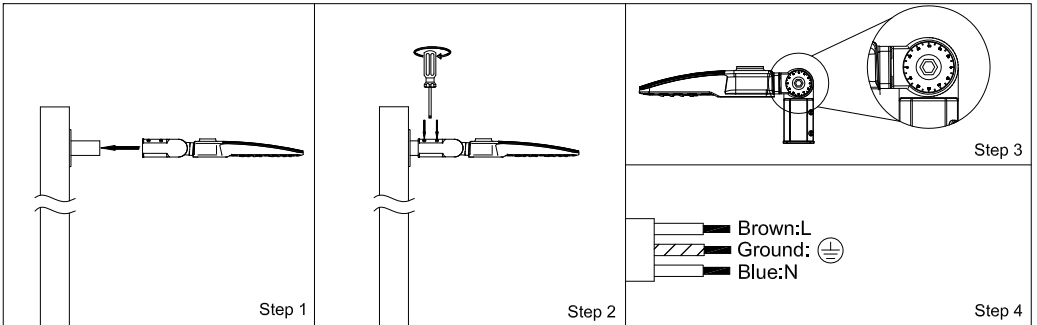
Size L	Size W	Size H
13.15"	12.48"	2.95"
17.89"	12.48"	2.95"
22.77"	12.48"	2.95"

### ● Mounting hole size (Unit: mm)

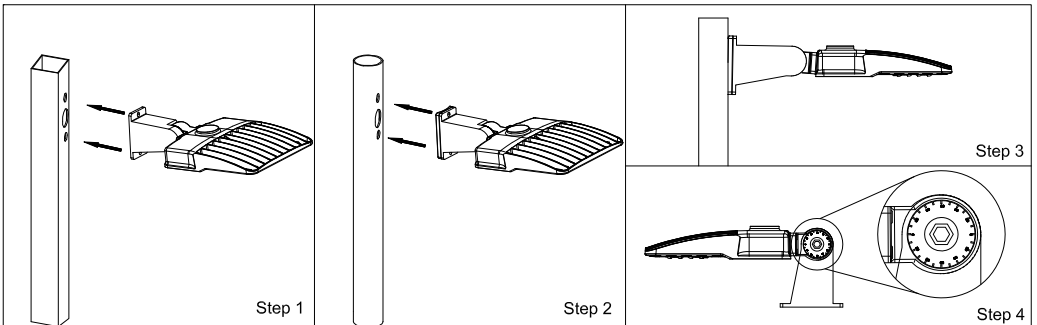


### ● Installation of shoe box lamp

#### 1. The first installation method

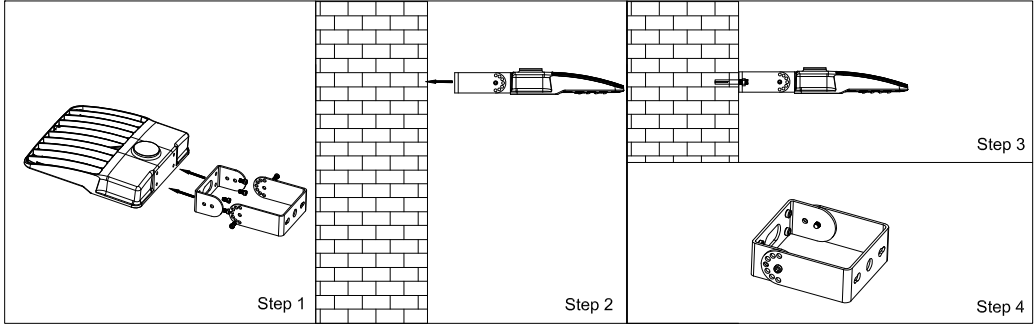


#### 2. Second installation method



## JLD LED AREA LIGHT

### 3. Third installation method



## ● Installation Instructions

### 1. IMPORTANT

· READ CAREFULLY BEFORE INSTALLING FIXTURE. RETAIN THESE INSTRUCTIONS FOR FUTURE REFERENCE.

It fixtures must be wired in accordance with the National Electrical Code and all applicable local codes. Proper grounding is required for safety.

THIS PRODUCT MUST BE INSTALLED IN ACCORDANCE WITH THE APPLICABLE INSTALLATION CODE BY A PERSON FAMILIAR WITH THE CONSTRUCTION AND OPERATION OF THE PRODUCT AND THE HAZARDS INVOLVED.

· WARNING: Make certain power is OFF before installing or maintaining fixture. No user serviceable parts inside.

### 2. 0-10V DIMMABLE WIRING

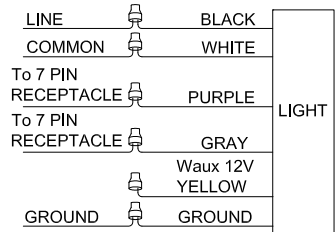
Universal voltage driver permits operation at 120V thru 277V, 50 or 60 Hz.

Units ordered with (/480/D10) suffix operate at 480V, 50Hz/ 60Hz.

Connect the black fixture lead to the LINE supply lead.

Connect the white fixture lead to the COMMON supply lead.

Connect the GROUND wire from fixture to supply ground. Do NOT connect the GROUND of the dimming fixture to the output.



### 3. TROUBLESHOOTING

1. Check that the line voltage at fixture is correct. Refer to wiring directions.
2. Be sure the fixture is grounded properly.
3. Is the photocell functioning properly (if used)?

## Notice

- ※ All electrical work must be undertaken by a qualified contractor to ensure compliance with latest edition BS 7671 and IEE/IET wiring regulations
- ※ Before installing and LED low bay or doing any maintenance, ensure power supply is turned off at the circuit breaker or fuse box
- ※ This product is designed for permanent connection to fixed wiring; the circuit should be protected with the appropriate MCB or fuse
- ※ Unpack and examine the product carefully. Report any damage and save all packing materials if any portion of the product was damaged during transportation.