

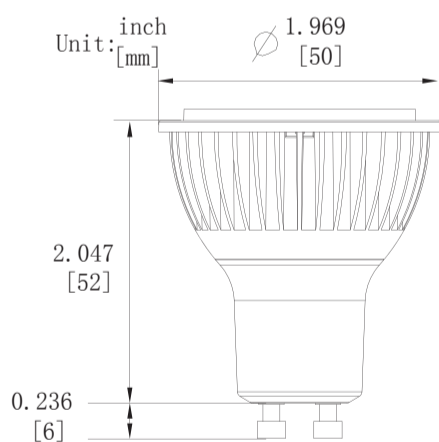
GU10 | 6.5W

50W
Equivalent



> Description

- Universal compatible with all existing transformers.
- Smooth & precise beam control.
- 50W equivalent halogen performance.
- CBCP matches standard halogen lamps.
- Mercury Free.
- Life warranty-25,000hrs at L70.



> Features

Product	MR16 Bulb
Wattage	6.5W
Wattage Equivalency	50 Watt Equivalent
Life Time	25,000hrs
Housing	Thermally Conductive Plastic
Socket	GU10
Operating Temperature	-4°F to +104°F (-20°C to +40°C)
Weight	1.92 oz, 54.431g
Power Factor	>0.92
Voltage	120 v
Dimmable	yes

> Ordering Information

LEDi2 Model#	Wattage	CCT	Lumens	CRI	Beam Angle	Dimmable
SI-XMR16GU10D07-27SV/25	6.5W	2700K	400	80	25°	YES
SI-XMR16GU10D07-27SV/36	6.5W	2700K	400	80	36°	YES
SI-XMR16GU10D07-30SV/25	6.5W	3000K	420	80	25°	YES
SI-XMR16GU10D07-30SV/36	6.5W	3000K	420	80	36°	YES



Residential



School



Office



Gallery



Mall

