

# DL-42/43/45 SERIES DIRECTIONAL LIGHT



# DIRECTIONAL LIGHTS

## DL-43-LEDM11



TYPE

### SPECIFICATIONS

**CONSTRUCTION:** Cast aluminum or Cast brass integrated heat sink base; matching cast adjustable swivel with 240° rotation; Extruded aluminum, brass or copper housing (copper housing has brass base)

**LENS:** High impact clear tempered convex glass

**O-RING:** 2x High temperature red silicone

**LIGHT SOURCE:** Integrated 590 lumen 11w LED module (equivalent to 50w halogen) with 6 high power Cree XP-G LEDs; 50,000 hours average rating. 2800k color temperature.

**OPTICS:** Interchangeable spot (15°), flood (40°), wide flood (60°) and 160° very wide flood (no optics)

**12v DRIVER:** Integrated on-board, no external driver required. 12v AC/DC input. Voltage range 9-18v; Optimum operating range 12v-15v

**120v DRIVER: HW-12-60LED\*** 120v Input, 12v AC output LED Driver

**120v/277v DRIVER: HW-12-20MVLED\*** 90v-277v Input, 12v AC output LED Driver

\*Must use FA-26 mounting post or junction box

**WIRING:** Black 3 foot 18/2 zip cord from base of fixture (12v only)

For 25 foot 16/2 fixture lead wire add -25F to catalog number.

**CONNECTION:** FA-05 Quick Connector (not supplied) from fixture to main cable (12/2, 10/2 or 8/2 only)

**MOUNTING:**

Aluminum model: FA-03 black 9" ABS stake, tapped 1/2" NPS

Brass & Copper models: FA-03-LG large black 9" ABS stake, tapped 1/2" NPS

**FINISH:** Aluminum - Black texture polyester powder coat. Optional finishes available.

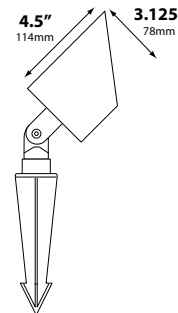
Brass & Copper - Unfinished. Optional finishes available.



DL-43-LEDPM1140-BLT

### ORDERING INFORMATION

CATALOG NO.	DESCRIPTION	LAMP	SHIP WEIGHT
DL-43-LEDM1115-BLT	Aluminum Bullet, 15° Optics	11w LED Module	3.0 lbs.
DL-43-LEDM1140-BLT	Aluminum Bullet, 40° Optics	11w LED Module	3.0 lbs.
DL-43-LEDM1160-BLT	Aluminum Bullet, 60° Optics	11w LED Module	3.0 lbs.
DL-43-LEDM11WF-BLT	Aluminum Bullet, No Optics	11w LED Module	3.0 lbs.
DL-43-LEDM1115-BRS	Brass Bullet, 15° Optics	11w LED Module	5.0 lbs.
DL-43-LEDM1140-BRS	Brass Bullet, 40° Optics	11w LED Module	5.0 lbs.
DL-43-LEDM1160-BRS	Brass Bullet, 60° Optics	11w LED Module	5.0 lbs.
DL-43-LEDM11WF-BRS	Brass Bullet, No Optics	11w LED Module	5.0 lbs.
DL-43-LEDM1115-COP	Copper Bullet, 15° Optics	11w LED Module	5.0 lbs.
DL-43-LEDM1140-COP	Copper Bullet, 40° Optics	11w LED Module	5.0 lbs.
DL-43-LEDM1160-COP	Copper Bullet, 60° Optics	11w LED Module	5.0 lbs.
DL-43-LEDM11WF-COP	Copper Bullet, No Optics	11w LED Module	5.0 lbs.



DL-42 | DL-43 | DL-45

Beam Type	Angle	Visual Indicator
Spot	15°	Red Dot
Flood	40°	Green Dot
Wide Flood	60°	Blue Dot



### BEAM/GLARE CONTROL ACCESSORIES

FA-08-DL-42-21	Round 1/4" Hex Cell Louver
FA-15-DL-42-BLUE	Blue Tempered Glass Lens
FA-15-DL-42-GREEN	Green Tempered Glass Lens
FA-15-DL-42-AMBER	Amber Tempered Glass Lens
FA-15-DL-42-RED	Red Tempered Glass Lens
FA-104-DL-42-SB	Wide Spread Sandblasted Glass Lens Softener



#### JOB INFORMATION

Type:	Date:
Job Name:	
Cat. No.:	
Lamp(s):	
Specifier:	
Contractor:	
Notes:	

Black Texture (Standard)	Antique Verde	Bronze Texture	Camel	White Texture	Hunter Texture	Rust	Weathered Iron	Weathered Brown	Stucco	Rubbed Verde	Chrome Powder	Acid Rust	Acid Verde	Black Acid Treatment
-BLT	-ATV	-BRT	-CAM	-WTX	-HTX	-RST	-WIR	-WBR	-STU	-RBV	-CPR	-BAR/CAR	-BAV/CAV	-BAT

# DIRECTIONAL LIGHTS

## DL-43-LEDM11

TYPE

### ORDERING INFORMATION - EXTERNAL DRIVERS

CATALOG NO.	DESCRIPTION
HW-12-60LED*	120v Input, 12v AC output LED Driver
HW-12-20MVLED*	90v-277v Input, 12v AC output LED Driver

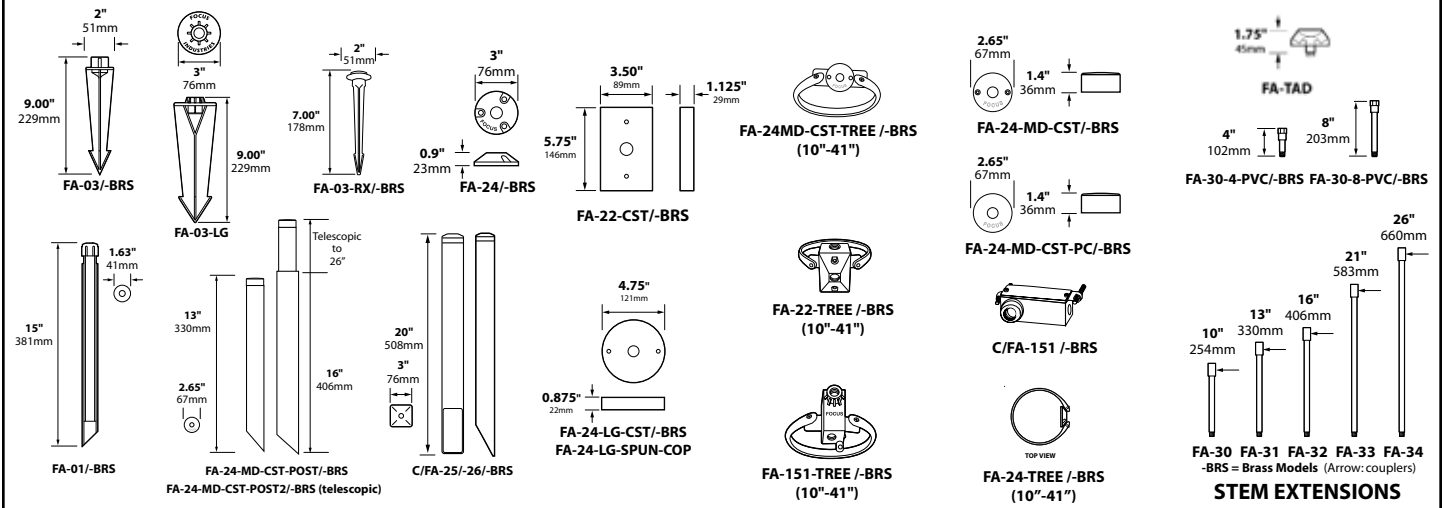
\*Must use FA-26 mounting post or junction box

HW-12-60LED | 2.25" (w) x 1.25" (h) x .75" (d)

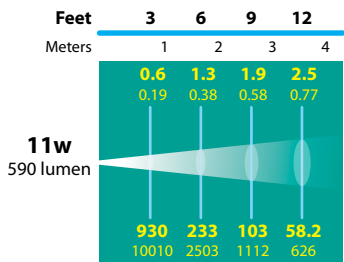
HW-12-20MVLED | 6" (w) x 1.5" (h) x .11" (d)



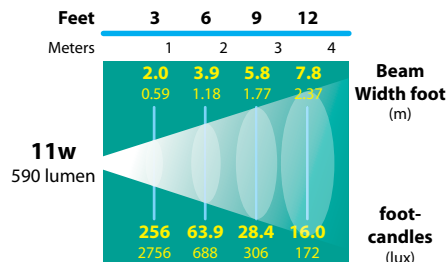
### MOUNTING ACCESSORIES



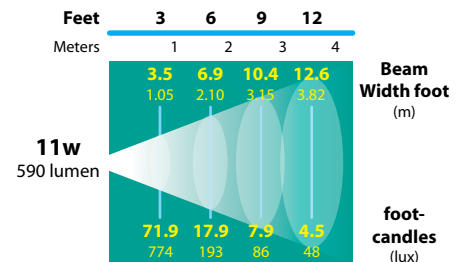
### LIGHT DISTRIBUTIONS AND PHOTOMETRICS



**DL-43-LEDM1115**  
**15° SPOT**



**DL-43-LEDM1140**  
**40° FLOOD**



**DL-43-LEDM1160**  
**60° WIDE FLOOD**