

# SGL4 STEP LIGHT

## 120V Next Generation LED Step Lights

Available in a 3000K warm white light, the SGL4 120V step lights are available in multiple trim styles featuring vertical and horizontal mounting options. Each fixture includes white and black faceplates for design flexibility and mounts to most standard junction boxes for easy installation.

- Available in multiple trim styles featuring dedicated powder-coated aluminum faceplates in white and black finish
- 3000K Color Temperature with 90+ CRI
- Vertical and horizontal install options
- Light Module rated for wet locations (IP65)
- No rough-in kit required - mounts to standard depth single gang junction box (includes watertight gasket)
- cETLus Listed for indoor and outdoor use
- 30,000 hours rated life

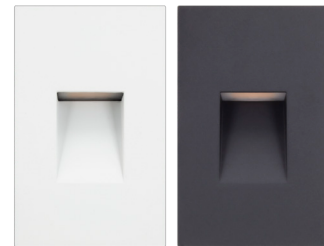


PROJECT:
TYPE:
LOCATION:
CATALOG NUMBER:



VERTICAL LOUVER

OPEN WINDOW



VERTICAL SLOT

### SGL4 SERIES QUICK SPECS

<b>VOLTAGE</b>	120V AC / 60Hz
<b>WATTAGE</b>	2W
<b>LUMENS</b>	Up to 68Lm
<b>CCT OPTIONS</b>	3000K
<b>CRI</b>	90+
<b>BEAM ANGLE</b>	N/A
<b>MOUNTING</b>	Wall Mount (Standard single gang junction box)
<b>RATING</b>	cETLus Listed (Wet Location)
<b>DIMMING</b>	TRIAC / CL / LED (10-100%)
<b>OPERATING TEMP</b>	-10°C (14°F) to 60°C (140°F)
<b>RATED LIFE</b>	30,000 Hours



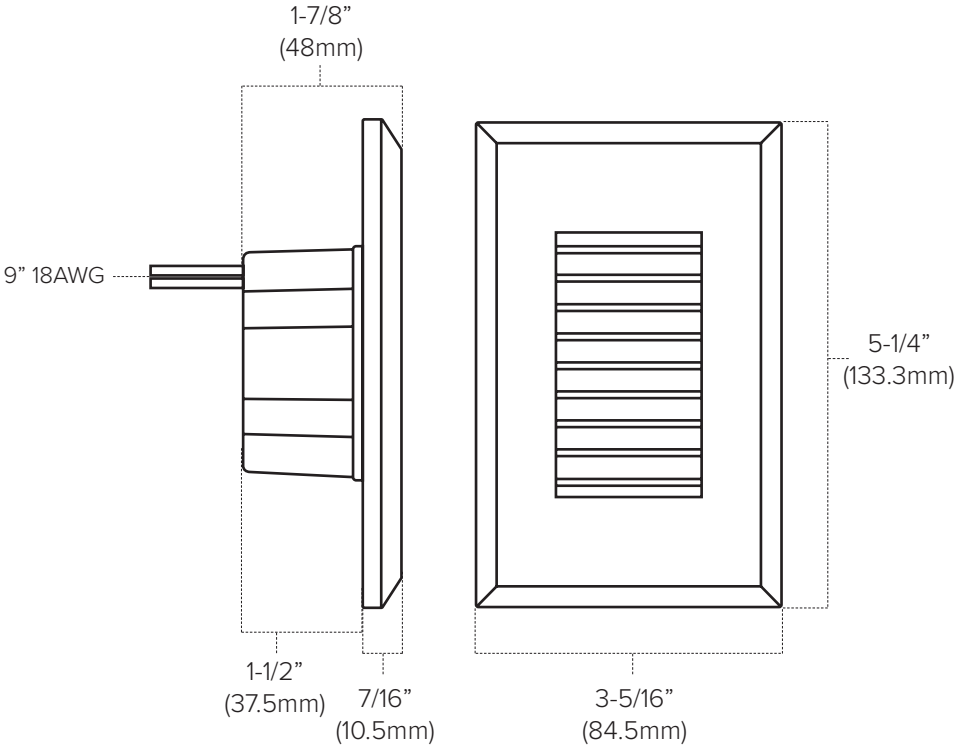
HORIZONTAL LOUVER

HORIZONTAL SLOT

### SGL4 SERIES ORDERING INFORMATION

ITEM NUMBER	STYLE	WATTAGE	LUMENS	CCT	DIMMING
<b>SGL4-120-30-VL</b>	Vertical Louver	2W	9Lm (BK) / 6Lm (WH)	3000K	TRIAC / CL / LED (10-100%)
<b>SGL4-120-30-HL</b>	Horizontal Louver	2W	9Lm (BK) / 13Lm (WH)	3000K	TRIAC / CL / LED (10-100%)
<b>SGL4-120-30-VS</b>	Vertical Slot	2W	36Lm (BK) / 60Lm (WH)	3000K	TRIAC / CL / LED (10-100%)
<b>SGL4-120-30-HS</b>	Horizontal Slot	2W	43Lm (BK) / 68Lm (WH)	3000K	TRIAC / CL / LED (10-100%)
<b>SGL4-120-30-OW</b>	Open Window	2W	30Lm (BK) / 30Lm (WH)	3000K	TRIAC / CL / LED (10-100%)

**SGL4 SERIES** QUICK DIMENSIONS





# AMERICAN LIGHTING WARRANTY

## LIMITED WARRANTY FOR LED PRODUCTS: 3 YEARS

### LIMITED PRODUCT WARRANTY

Our products are warranted to be free from defects in material and workmanship for the warranty period listed. Warranty periods begin from the date of shipment from American Lighting Inc's warehouse to the original purchaser. Products that prove to be defective during their specific warranty period will be either repaired or replaced, at the sole discretion of American Lighting Inc. Claims for defective products must be submitted in writing to American Lighting Inc's RGA Department within the warranty period. Upon approval of such return, American Lighting Inc reserves the right to inspect the product for misuse or abuse. Claims for indirect or consequential damages or for product that, in American Lighting Inc's opinion, has been misused will be denied. This is a warranty of product reliability only and not a warranty of merchantability or fitness for a particular purpose. American Lighting Inc shall have no liability whatsoever in any event for payment of incidental or consequential damages, including, without limitations, installation costs and/or damages for personal injury and/or property. These products may represent a possible shock or fire hazard if improperly installed or altered in any way. This warranty does not apply to any product that has not been properly installed in accordance with current local codes and/or the National Electrical Code. Products that require a transformer, driver, or power supply must be used in conjunction with American Lighting Inc's recommended power supply to ensure safety and retain product warranty.

### PRODUCT SPECIFICATIONS

For the latest product information, updates, instructions and details concerning specifications, colors, finishes, performance, installation and design, visit [www.americanlighting.com](http://www.americanlighting.com). Color may vary from the color printed herein due to limitations in photographic and printing processes. American Lighting Inc. reserves the right to change product specifications without notice. Other product specifications such as color temperature, wavelength characteristics and lumen output are subject to production limitations and may vary. LED technology is changing rapidly, and not all color temperatures and performance levels can be duplicated at a later time. Best practices include purchasing 10-15% more for a particular project on the same initial order where white LED color temperatures must be maintained over project and product life. Eventual product replacement should be considered at layout and design stages. Best practices also include testing connections and product performance prior to mounting and/or installing.

### AVERAGE LIFE

Average incandescent lamp life, rated life and average life are terms used to describe the number of hours at which half of the lamps have failed. For LEDs, the hours of rated life specify the point where 70% of original lumen output is reached. Below this point, the effective life is over, however, the LED may still emit light. Individual results may vary with actual environmental conditions including, but not limited to, proper installation, ambient temperature and/or input voltage fluctuations.